

NOTES:

1. SUBSTRATE MATERIAL:
BOROFLOAT®

2. COATING (APPLY ACROSS CLEAR APERTURE)

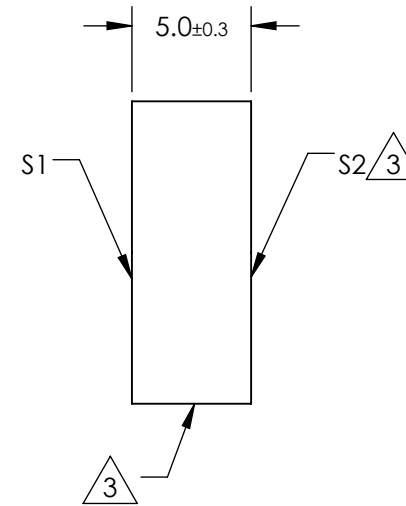
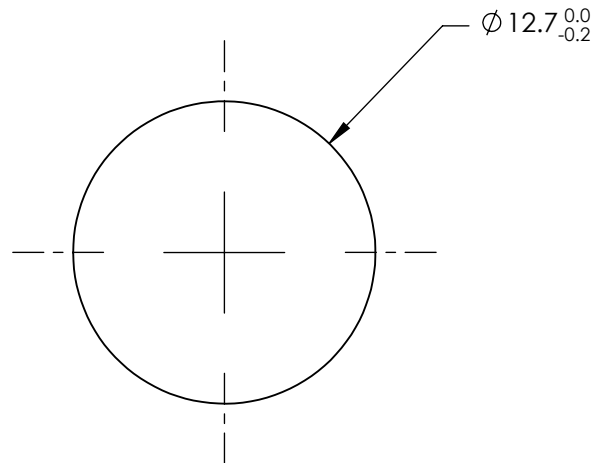
S1: VIS Laser
R(avg) >99% @ 400 - 700nm @ 0° - 45° ANGLE OF INCIDENCE
DAMAGE THRESHOLD (PULSED): 1 J/cm² @ 10ns
DAMAGE THRESHOLD (CW): 500 kW/cm² @ 355nm
DURABILITY: MIL-M-13508-C

S2: NONE

 FINE GROUND SURFACE

4. RoHS COMPLIANT

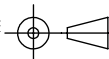
**FOR INFORMATION ONLY:
DO NOT MANUFACTURE
PARTS TO THIS DRAWING**



SPECIFICATIONS SUBJECT TO CHANGE WITHOUT NOTICE
DIMENSIONS ARE FOR REFERENCE ONLY

REV. A	S1	S2
SHAPE	PLANO	PLANO
CLEAR APERTURE (%)	>80	N/A
SURFACE QUALITY	20-10	N/A
SURFACE FLATNESS	$\lambda/20$	N/A
BEVEL	PROTECTIVE AS NEEDED	PROTECTIVE AS NEEDED

THIRD ANGLE
PROJECTION



ALL DIMS IN

mm

 **Edmund Optics®**

TITLE

12.7mm Dia. VIS, Precision Broadband
Laser Mirror

DWG NO

45754

SHEET
1 OF 1