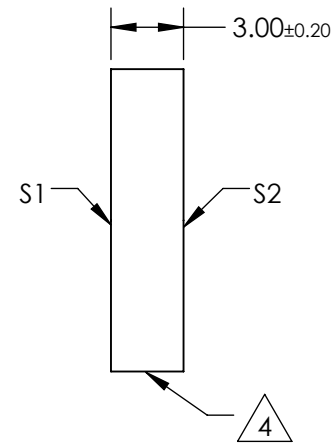
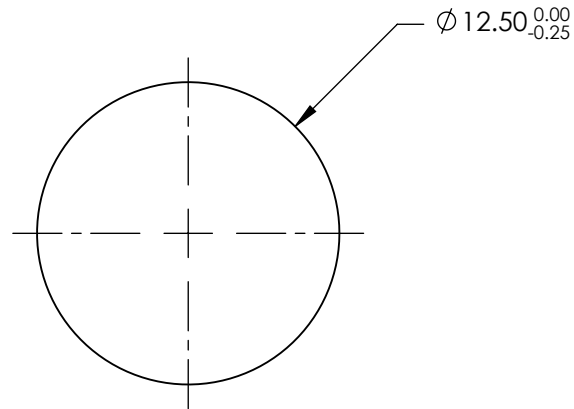
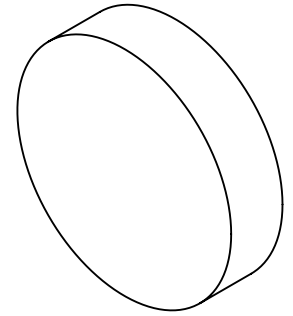


NOTES:

1. SUBSTRATE:  
N-BK7
2. S2 TO BE PARALLEL WITH S1 TO <1 arcmin
3. COATING (APPLY ACROSS CLEAR APERTURE)  
S1 & S2: NONE

 FINE GRIND SURFACE

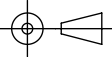
5. RoHS COMPLIANT



**FOR INFORMATION ONLY:  
DO NOT MANUFACTURE  
PARTS TO THIS DRAWING**

SPECIFICATIONS SUBJECT TO CHANGE WITHOUT NOTICE  
DIMENSIONS ARE FOR REFERENCE ONLY

 **Edmund Optics®**

	S1	S2	THIRD ANGLE PROJECTION 		TITLE	12.5mm DIA., 3mm THICK, UNCOATED λ/4 N-BK7 WINDOW	
SHAPE	PLANO	PLANO	ALL DIMS IN	mm	DWG NO	45075	
SURFACE QUALITY	60-40	60-40			SHEET 1 OF 1		
BEVEL	PROTECTIVE AS NEEDED	PROTECTIVE AS NEEDED					