

NOTES:

1. SUBSTRATE MATERIAL:
N-BK7

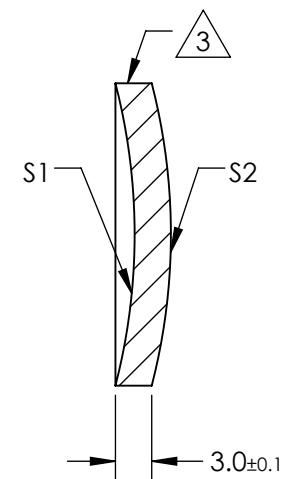
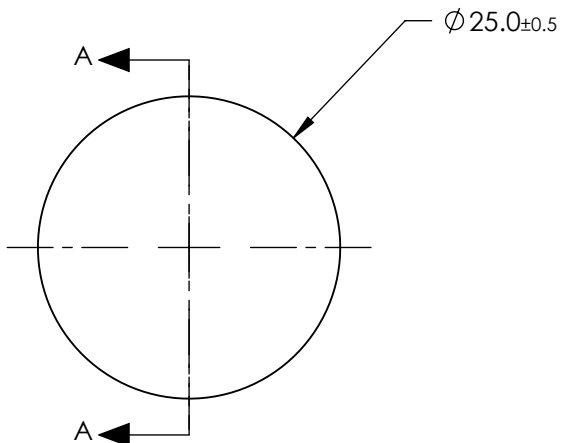
2. COATING (APPLY ACROSS CLEAR APERTURE)

S1: Protected Aluminum
R(avg) >85% @ 400 - 700nm
R(avg) >90% @ 400 - 2000nm

S2: NONE

 FINE GROUND SURFACE

4. RoHS COMPLIANT



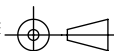
SECTION A-A

**FOR INFORMATION ONLY:
DO NOT MANUFACTURE
PARTS TO THIS DRAWING**

SPECIFICATIONS SUBJECT TO CHANGE WITHOUT NOTICE
DIMENSIONS ARE FOR REFERENCE ONLY

| REV. A | S1 | S2 |
|------------------------|---------|--------|
| SHAPE | CONCAVE | CONVEX |
| RADIUS | 50mm | 50mm |
| APERTURE | f/1 | N/A |
| EFFECTIVE FOCAL LENGTH | 25mm | N/A |
| FOCAL LENGTH TOLERANCE | ±2% | N/A |
| SURFACE QUALITY | 80-50 | N/A |

THIRD ANGLE
PROJECTION



ALL DIMS IN

mm

 **Edmund Optics®**

TITLE

25mm Dia. x 25mm FL Protected Aluminum,
Concave Mirror

DWG NO

43465

SHEET
1 OF 1