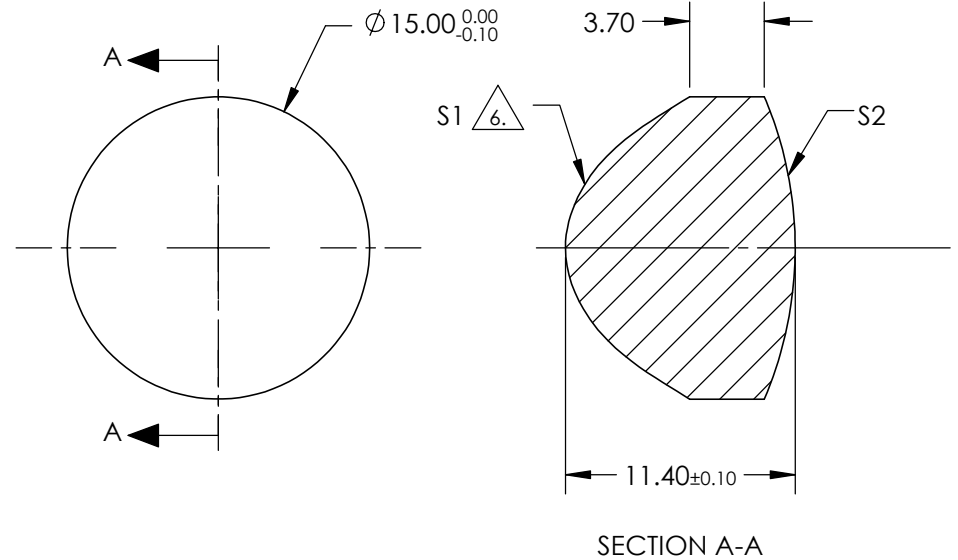


NOTES:

1. SUBSTRATE: FUSED SILICA
2. COATING (APPLY ACROSS CLEAR APERTURE)
 S1: NR(avg) ≤1.5% @ 250 - 450nmNE
 S2: NR(avg) ≤1.5% @ 250 - 450nmNE
3. EDGES: FINE GROUND
4. CENTERING: <3-5 ARCMIN
5. ASPHERE FIGURE ERROR: 0.75µm RMS

△ ASPHERIC SURFACE DESCRIBED BY (REF. COEFFICIENT TABLE)

$$Z_{ASPH}(Y) = \frac{(\frac{1}{RADIUS}) * Y^2}{1 + \sqrt{1 - (1+k) * (\frac{1}{RADIUS})^2 * Y^2}} + D * Y^2 + E * Y^4 + F * Y^6 + G * Y^8 + H * Y^{10} + J * Y^{12} + L * Y^{14}$$



COEFFICIENT TABLE △7	
COEFFICIENT	S1
k	-4.835000E+00
D	0
E	2.271180E-03
F	-5.317630E-05
G	1.383320E-06
H	-2.114800E-08
J	1.182270E-10
L	0

**FOR INFORMATION ONLY:
DO NOT MANUFACTURE
PARTS TO THIS DRAWING**

SPECIFICATIONS SUBJECT TO CHANGE WITHOUT NOTICE DIMENSIONS ARE FOR REFERENCE ONLY

REV. A	S1	S2	EFL @ 587.6µm	10	Edmund Optics®	15mm DIA 0.75 NA UV COATED, UV FUSED SILICA ASPHERIC LENS	
SHAPE	CONVEX	CONVEX	BFL @ 587.6µm	2.69			
RADIUS	4.900	19.138	THIRD ANGLE PROJECTION		TITLE	DWG NO	SHEET 1 OF 1
SURFACE QUALITY	60-40	60-40					
CLEAR APERTURE	90%	90%	ALL DIMS IN	mm	33951		
BEVEL MAX	PROTECTIVE AS NEEDED	PROTECTIVE AS NEEDED					