

NOTES:

1. SUBSTRATE MATERIAL:
N-BK7

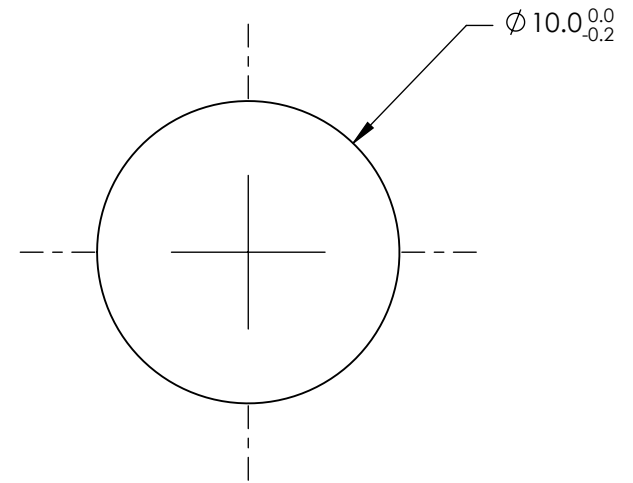
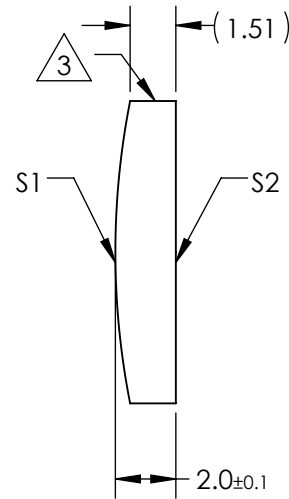
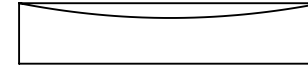
2. COATING (APPLY ACROSS CLEAR APERTURE)

S1 & S2: NONE

3. FINE GROUND SURFACE


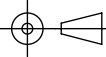
4. POWER, IRREGULARITY, AND SURFACE QUALITY SPECIFICATIONS APPLY ACROSS CLEAR APERTURE

5. RoHS COMPLIANT



**FOR INFORMATION ONLY:
DO NOT MANUFACTURE
PARTS TO THIS DRAWING**

SPECIFICATIONS SUBJECT TO CHANGE WITHOUT NOTICE
DIMENSIONS ARE FOR REFERENCE ONLY

REV. A	S1	S2	EFL	50	 Edmund Optics®	
SHAPE	CONVEX	PLANO	BFL	48.68		
RADIUS	25.84	∞	THIRD ANGLE PROJECTION 		TITLE	10mm DIA X 50mm FL UNCOATED, CYLINDER LENS
SURFACE QUALITY	60-40	60-40	ALL DIMS IN	mm	DWG NO	47757
CLEAR APERTURE	Ø9.00	Ø9.00	SHEET 1 OF 1			
COATING APERTURE	Ø9.00	Ø9.00				
BEVEL	PROTECTED AS NEEDED	PROTECTED AS NEEDED				