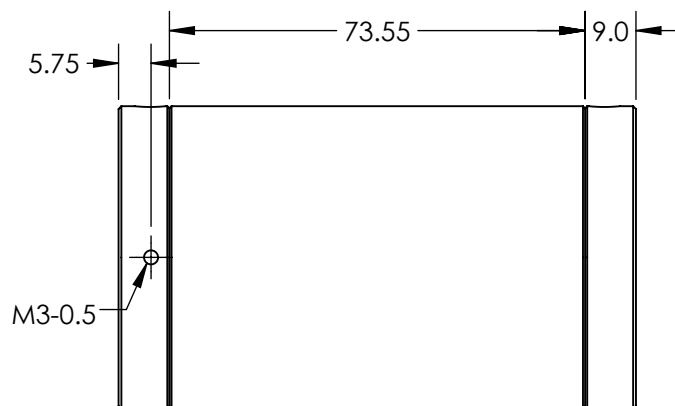
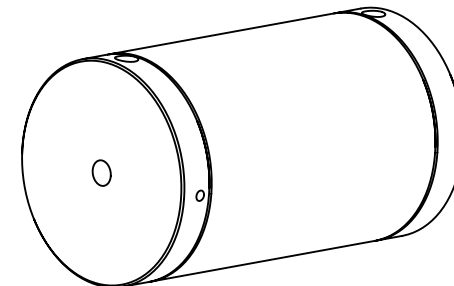
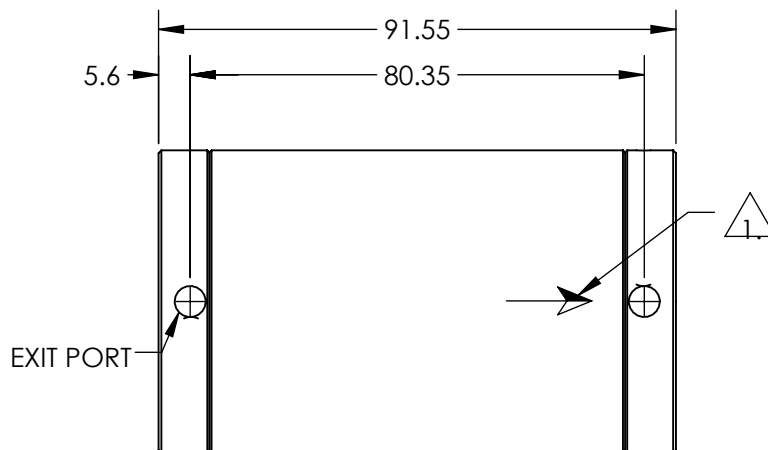
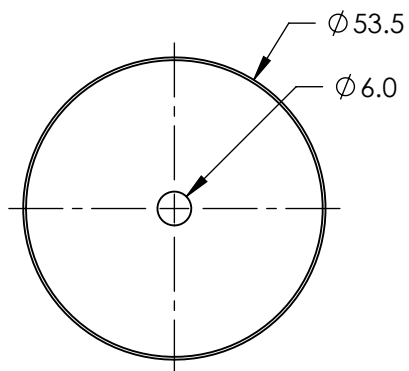


NOTES:

1.  ARROW INDICATOR SHOWS BEAM PATH
2. RoHS COMPLIANT



**FOR INFORMATION ONLY:
DO NOT MANUFACTURE
PARTS TO THIS DRAWING**

SPECIFICATIONS SUBJECT TO CHANGE WITHOUT NOTICE
DIMENSIONS ARE FOR REFERENCE ONLY

CLEAR APERTURE (mm)	4.7
DAMAGE THRESHOLD (CW)	45 W, 4 kW/cm ² @ DWL
DESIGN WAVELENGTH DWL (nm)	1070
MIN ISOLATION @ DWL (dB)	60
OPERATING TEMPERATURE	+15 C to 40 C
TRANSMISSION (%)	90 (typical)
TYPICAL ISOLATION @ DWL (dB)	67



ALL DIMS IN mm

TITLE	1070nm Dual Stage Free-Space Optical Isolator		
DWG NO	35988	SHEET	1 OF 1