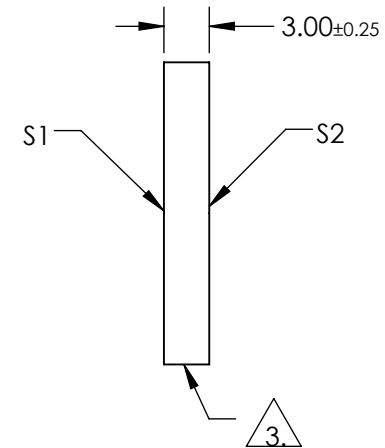
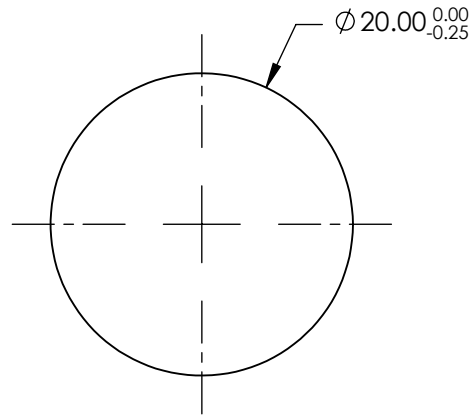
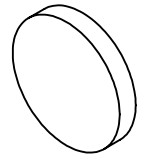


NOTES:

1. SUBSTRATE:  
BOROFLOAT®
2. COATING SPECIFICATION:  
S1: Protected Gold (700-10000nm)  
R(AVG) >96% @ 700 - 2000nm  
R(AVG) >96% @ 2000 - 10,000nm

△ 3. FINE GROUND SURFACE

4. ROHS COMPLIANT



**FOR INFORMATION ONLY:  
DO NOT MANUFACTURE  
PARTS TO THIS DRAWING**

SPECIFICATIONS SUBJECT TO CHANGE WITHOUT NOTICE  
DIMENSIONS ARE FOR REFERENCE ONLY

	S1	S2
SHAPE	PLANO	PLANO
SURFACE QUALITY	60-40	COMMERCIAL POLISH
CLEAR APERTURE	Ø17.00	N/A
BEVEL	PROTECTIVE AS NEEDED	PROTECTIVE AS NEEDED



ALL DIMS IN mm

**EO**® Edmund Optics®

TITLE

20mm Dia. Protected Gold, λ/4 Mirror

DWG NO

63175

SHEET  
1 OF 1