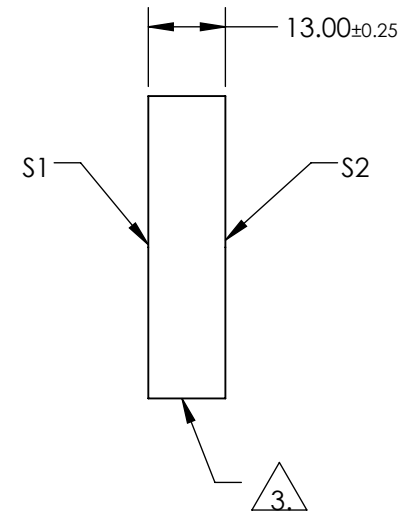
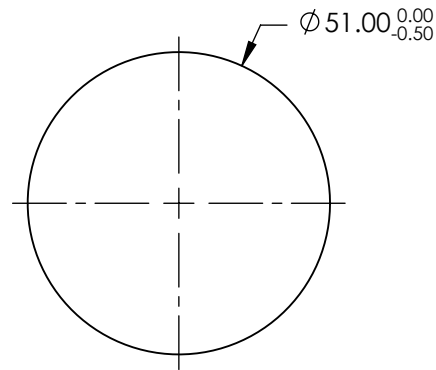
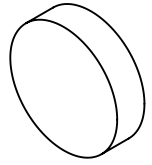


NOTES:

1. SUBSTRATE:  
BOROFLOAT®
2. COATING SPECIFICATION:  
S1: Protected Silver (450-10000nm)  
R(AVG) >98% @ 450 - 2000nm  
R(AVG) >98% @ 2000 - 10,000nm

3. FINE GROUND SURFACE

4. ROHS COMPLIANT



**FOR INFORMATION ONLY:  
DO NOT MANUFACTURE  
PARTS TO THIS DRAWING**

SPECIFICATIONS SUBJECT TO CHANGE WITHOUT NOTICE  
DIMENSIONS ARE FOR REFERENCE ONLY

	S1	S2
SHAPE	PLANO	PLANO
SURFACE QUALITY	60-40	GROUND
CLEAR APERTURE	$\lambda/4$	N/A
BEVEL	PROTECTIVE AS NEEDED	PROTECTIVE AS NEEDED



ALL DIMS IN mm

**EO**® Edmund Optics®

TITLE

51mm Dia. Protected Silver,  $\lambda/4$  Mirror

DWG NO

46725

SHEET  
1 OF 1