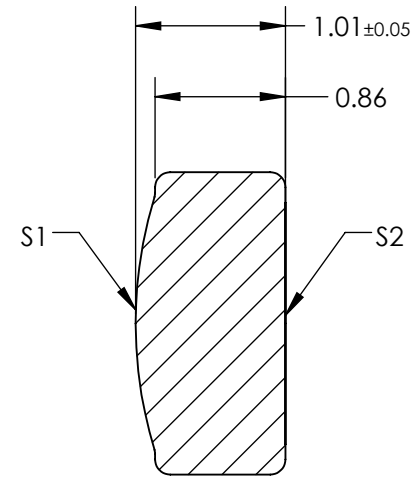
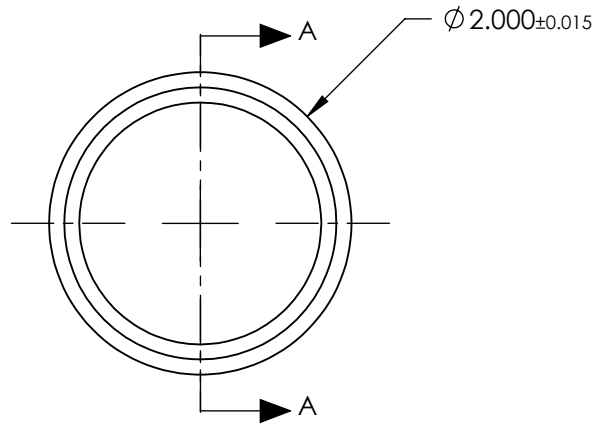


NOTES:


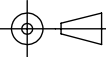
1. SUBSTRATE:
D-ZK3
2. NUMERICAL APERTURE: 0.15
3. COATING
S1 & S2: R(AVG) < 1.0% @ 1050 - 1600nm
4. FOCAL LENGTH TOLERANCE: ±1%
5. TRANSMITTED WAVEFRONT ERROR (λ , RMS): < 0.173



SECTION A-A

**FOR INFORMATION ONLY:
DO NOT MANUFACTURE
PARTS TO THIS DRAWING**

SPECIFICATIONS SUBJECT TO CHANGE WITHOUT NOTICE DIMENSIONS ARE FOR REFERENCE ONLY

	S1	S2	EFL	5.00	 Edmund Optics®
			BFL	4.37	
SHAPE	CONVEX	PLANO	THIRD ANGLE PROJECTION 	TITLE	0.15 NA 5.00mm FL 1050-1600nm AR COATED, MOLDED ASPHERIC LENS
SURFACE QUALITY	40-20	40-20		DWG NO	48158
CLEAR APERTURE	Ø1.50	Ø1.50	ALL DIMS IN	mm	
BEVEL MAX	PROTECTIVE AS NEEDED	PROTECTIVE AS NEEDED			