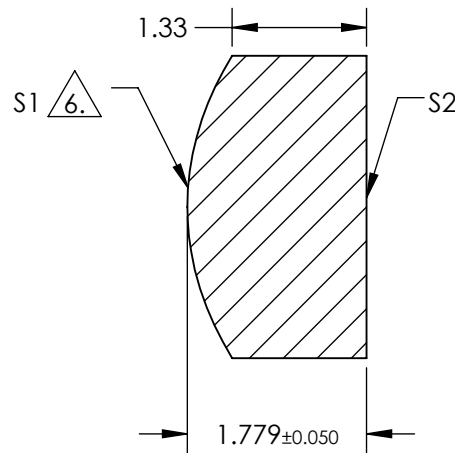
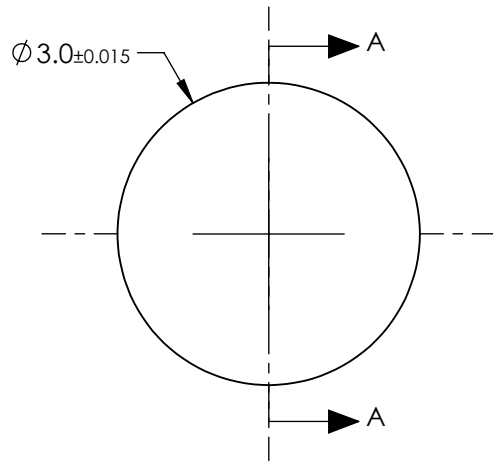


NOTES:

1. SUBSTRATE:
D-ZK3
2. NUMERICAL APERTURE: 0.3
3. COATING
S1 & S2: R(ABS) < 1.0% @ 600 - 1050nm
4. FOCAL LENGTH TOLERANCE: ±1%
5. TRANSMITTED WAVEFRONT ERROR (λ, RMS): < 0.070

6. ASPHERIC SURFACE DESCRIBED BY (REF. COEFFICIENT TABLE)

$$Z_{ASPH}(Y) = \frac{(1/RADIUS) * Y^2}{1 + \sqrt{1 - (1+k) * (1/RADIUS)^2 * Y^2}} + D * Y^2 + E * Y^4 + F * Y^6 + G * Y^8 + H * Y^{10} + J * Y^{12} + L * Y^{14}$$



| COEFFICIENT TABLE 6. | |
|----------------------|---------------|
| COEFFICIENT | S1 |
| SEMI-DIAMETER | 1.500000E+00 |
| (1/RADIUS) | 3.803046E-01 |
| k | -0.748555E+00 |
| D | 0.000000E+00 |
| E | 1.395845E-03 |
| F | 4.060078E-05 |
| G | 0.000000E+00 |
| H | 0.000000E+00 |
| J | 0.000000E+00 |
| L | 0.000000E+00 |

**FOR INFORMATION ONLY:
DO NOT MANUFACTURE
PARTS TO THIS DRAWING**

SPECIFICATIONS SUBJECT TO CHANGE WITHOUT NOTICE DIMENSIONS ARE FOR REFERENCE ONLY

| | | | | | | | |
|-----------------|----------------------|----------------------|------------------------|------|--------|---|--------------|
| | S1 | S2 | EFL | 4.50 | | Edmund Optics® | |
| SHAPE | CONVEX | PLANO | BFL | 3.50 | | | |
| RADIUS | 2.63 | INFINITY | THIRD ANGLE PROJECTION | | TITLE | 0.3 NA 4.5mm FL 600-1050nm COATED, LASER TOOL ASPHERIC LENS | |
| SURFACE QUALITY | 60 - 40 | 60 - 40 | ALL DIMS IN | mm | DWG NO | 83714 | |
| CLEAR APERTURE | Ø2.70 | Ø2.70 | | | | | SHEET 1 OF 1 |
| BEVEL MAX | PROTECTIVE AS NEEDED | PROTECTIVE AS NEEDED | | | | | |