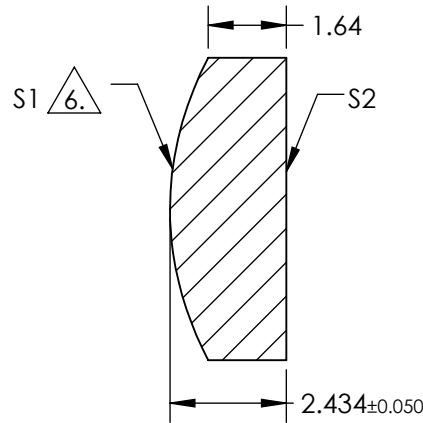
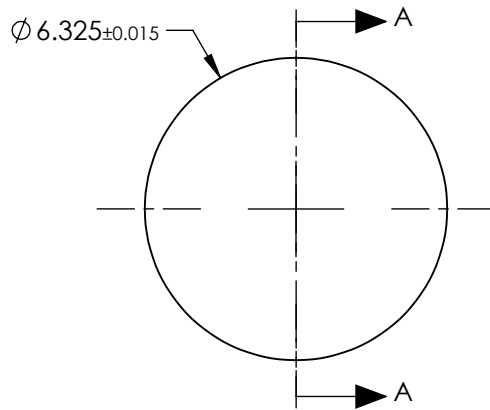


NOTES:

1. SUBSTRATE:
D-ZK3
2. NUMERICAL APERTURE: 0.24
3. COATING
S1 & S2: R(AVG) ≤ 0.5% @ 350 - 700nm
4. FOCAL LENGTH TOLERANCE: ±1%
5. TRANSMITTED WAVEFRONT ERROR (λ, RMS): < 0.178

6. ASPHERIC SURFACE DESCRIBED BY (REF. COEFFICIENT TABLE)

$$Z_{ASPH}(Y) = \frac{(\frac{1}{RADIUS}) * Y^2}{1 + \sqrt{1 - (1+k) * (\frac{1}{RADIUS})^2 * Y^2}} + D * Y^2 + E * Y^4 + F * Y^6 + G * Y^8 + H * Y^{10} + J * Y^{12} + L * Y^{14}$$



SECTION A-A

**FOR INFORMATION ONLY:
DO NOT MANUFACTURE
PARTS TO THIS DRAWING**

COEFFICIENT TABLE 6.	
COEFFICIENT	S1
SEMI-DIAMETER	3.162500E+00
(1/RADIUS)	1.782554E-01
k	0.567434E+00
D	0.000000E+00
E	-2.387921E-07
F	-7.569886E-07
G	-1.692256E-08
H	-2.305947E-10
J	0.000000E+00
L	0.000000E+00

SPECIFICATIONS SUBJECT TO CHANGE WITHOUT NOTICE DIMENSIONS ARE FOR REFERENCE ONLY

	S1	S2	EFL	11.00	Edmund Optics®	0.24 NA 6.33mm D X 11mm FL 350-700nm COATED, LASER TOOL LENS	
SHAPE	CONVEX	PLANO	BFL	9.60			
RADIUS	6.43	INFINITY	THIRD ANGLE PROJECTION		TITLE	0.24 NA 6.33mm D X 11mm FL 350-700nm COATED, LASER TOOL LENS	
SURFACE QUALITY	40 - 20	40 - 20			ALL DIMS IN		
CLEAR APERTURE	Ø5.20	Ø5.20					SHEET 1 OF 1
BEVEL MAX	PROTECTIVE AS NEEDED	PROTECTIVE AS NEEDED					