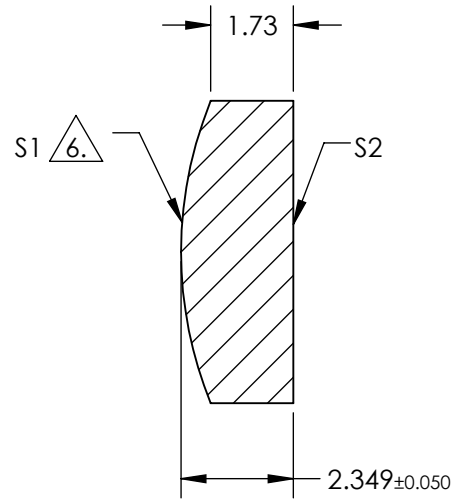
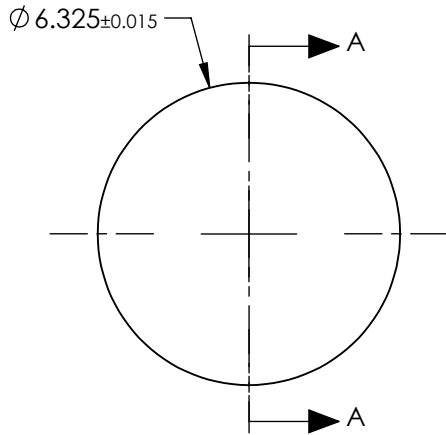


**NOTES:**

1. SUBSTRATE:  
D-ZK3
2. NUMERICAL APERTURE: 0.19
3. COATING  
S1 & S2: R(ABS) < 1.0% @ 600 - 1050nm
4. FOCAL LENGTH TOLERANCE: ±1%
5. TRANSMITTED WAVEFRONT ERROR (λ, RMS): < 0.145

6. ASPHERIC SURFACE DESCRIBED BY (REF. COEFFICIENT TABLE)

$$Z_{ASPH}(Y) = \frac{(\frac{1}{RADIUS}) * Y^2}{1 + \sqrt{1 - (1+k) * (\frac{1}{RADIUS})^2 * Y^2}} + D * Y^2 + E * Y^4 + F * Y^6 + G * Y^8 + H * Y^{10} + J * Y^{12} + L * Y^{14}$$



COEFFICIENT TABLE 6.	
COEFFICIENT	S1
SEMI-DIAMETER	3.162500E+00
(1/RADIUS)	1.222323E-01
k	-1.294331E+00
D	0.000000E+00
E	1.628517E-04
F	3.319573E-08
G	4.288261E-10
H	-1.099969E-11
J	0.000000E+00
L	0.000000E+00

**FOR INFORMATION ONLY:  
DO NOT MANUFACTURE  
PARTS TO THIS DRAWING**

SPECIFICATIONS SUBJECT TO CHANGE WITHOUT NOTICE DIMENSIONS ARE FOR REFERENCE ONLY

	S1	S2	EFL	14.00	Edmund Optics®	TITLE 0.19 NA 14mm FL 600-1050nm COATED, LASER TOOL ASPHERIC LENS	
SHAPE	CONVEX	PLANO	BFL	12.60			
RADIUS	8.18	INFINITY	THIRD ANGLE PROJECTION		DWG NO	83694	SHEET 1 OF 1
SURFACE QUALITY	40 - 20	40 - 20					
CLEAR APERTURE	Ø5.20	Ø5.20	ALL DIMS IN		mm		
BEVEL MAX	PROTECTIVE AS NEEDED	PROTECTIVE AS NEEDED					