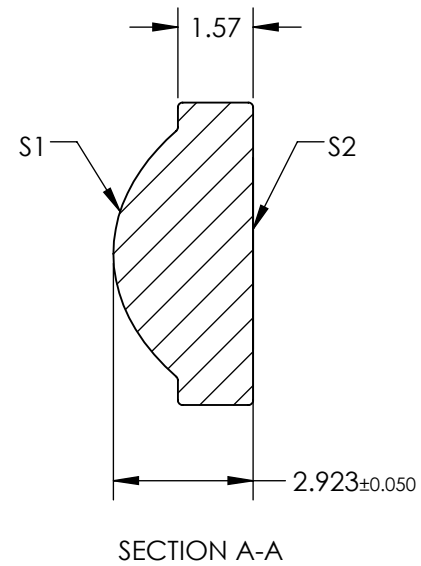
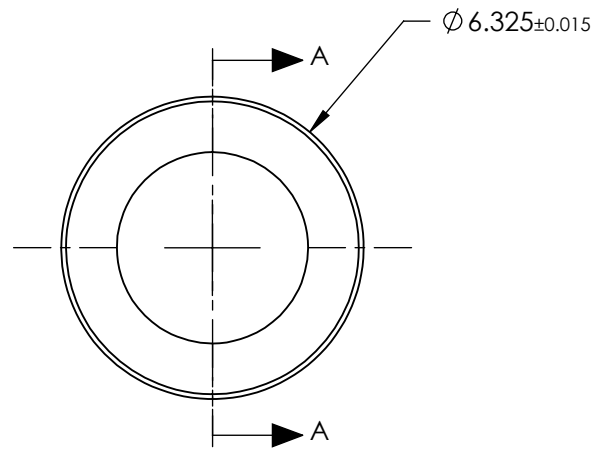


NOTES:


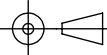
1. SUBSTRATE:
D-LAK6
2. NUMERICAL APERTURE: 0.61
3. COATING
S1 & S2: R(AVG) < 1.0% @ 350 - 500nm
4. FOCAL LENGTH TOLERANCE: ±1%
5. TRANSMITTED WAVEFRONT ERROR (λ , RMS): < 0.070



**FOR INFORMATION ONLY:
DO NOT MANUFACTURE
PARTS TO THIS DRAWING**

SPECIFICATIONS SUBJECT TO CHANGE WITHOUT NOTICE DIMENSIONS ARE FOR REFERENCE ONLY

	S1	S2
SHAPE	CONVEX	PLANO
SURFACE QUALITY	20 - 10	20 - 10
CLEAR APERTURE	Ø4.80	Ø4.80
BEVEL MAX	PROTECTIVE AS NEEDED	PROTECTIVE AS NEEDED

EFL	4.00	 Edmund Optics®	
BFL	2.37		
THIRD ANGLE PROJECTION		TITLE	488, 0.61 NA, BBAR COATED, ASPHERIC LENS
ALL DIMS IN	mm	DWG NO	83681
			SHEET 1 OF 1