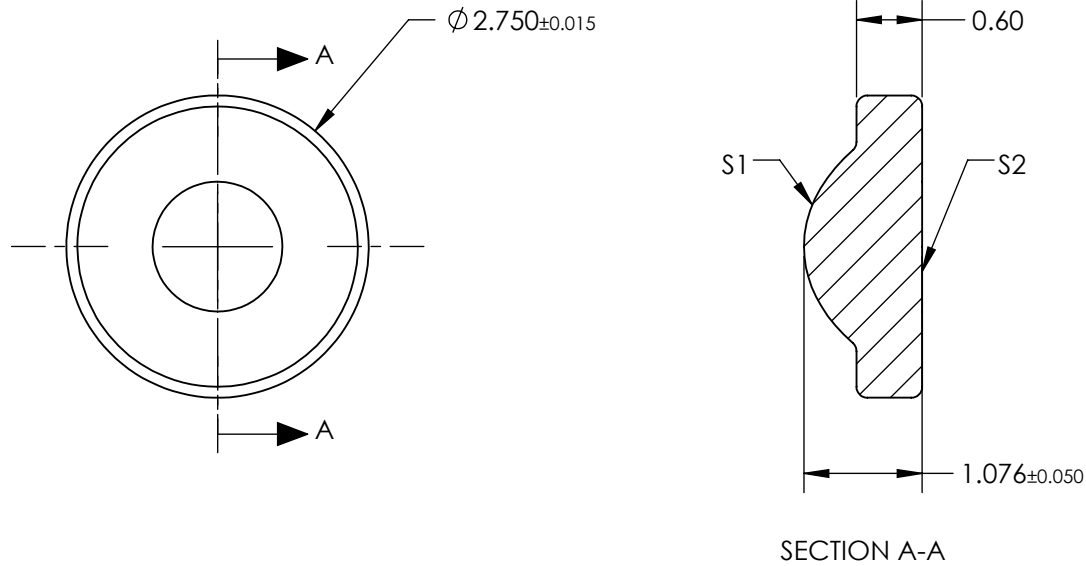



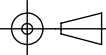
NOTES:

1. SUBSTRATE:
L-LAL12
2. NUMERICAL APERTURE: 0.62
3. COATING
S1 & S2: R(AVG) < 1.0% @ 350 - 500nm
4. FOCAL LENGTH TOLERANCE: ±1%
5. TRANSMITTED WAVEFRONT ERROR (λ , RMS): < 0.070



**FOR INFORMATION ONLY:
DO NOT MANUFACTURE
PARTS TO THIS DRAWING**

SPECIFICATIONS SUBJECT TO CHANGE WITHOUT NOTICE DIMENSIONS ARE FOR REFERENCE ONLY

	S1	S2	EFL	1.42	 Edmund Optics®	
			BFL	0.86		
SHAPE	CONVEX	PLANO	THIRD ANGLE PROJECTION 	TITLE	488, 0.62 NA, BBAR COATED, ASPHERIC LENS	
SURFACE QUALITY	20 - 10	20 - 10		DWG NO	83679	SHEET 1 OF 1
CLEAR APERTURE	Ø1.70	Ø1.70		ALL DIMS IN	mm	
BEVEL MAX	PROTECTIVE AS NEEDED	PROTECTIVE AS NEEDED				