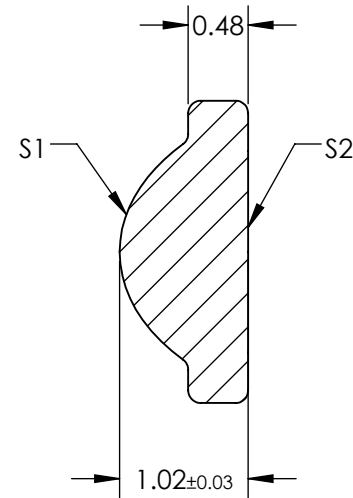
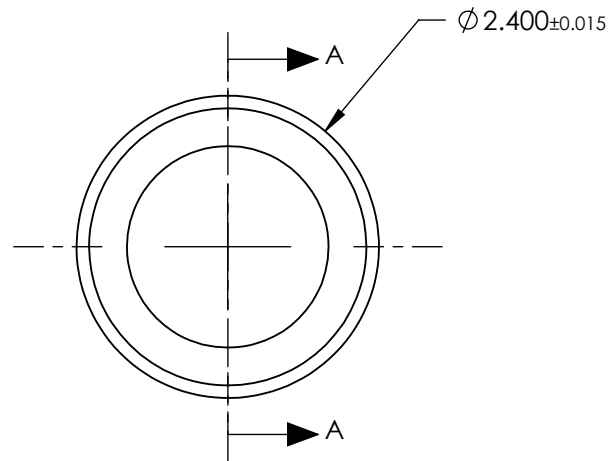


**NOTES:**


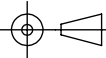
1. SUBSTRATE:  
D-ZK3
2. NUMERICAL APERTURE: 0.58
3. COATING  
S1 & S2: R(ABS) < 1.0% @ 600 - 1050nm
4. FOCAL LENGTH TOLERANCE: ±1%
5. TRANSMITTED WAVEFRONT ERROR ( $\lambda$ , RMS): < 0.070



SECTION A-A

**FOR INFORMATION ONLY:  
DO NOT MANUFACTURE  
PARTS TO THIS DRAWING**

SPECIFICATIONS SUBJECT TO CHANGE WITHOUT NOTICE DIMENSIONS ARE FOR REFERENCE ONLY

	S1	S2	EFL	1.45	 <b>Edmund Optics®</b>
			BFL	0.81	
SHAPE	CONVEX	PLANO	THIRD ANGLE PROJECTION 	TITLE	0.58 NA 1.45mm FL 600-1050nm AR COATED, MOLDED ASPHERIC LENS
SURFACE QUALITY	40-20	40-20		DWG NO	83614
CLEAR APERTURE	$\varnothing 1.60$	$\varnothing 1.60$			
BEVEL MAX	PROTECTIVE AS NEEDED	PROTECTIVE AS NEEDED	ALL DIMS IN	mm	SHEET 1 OF 1