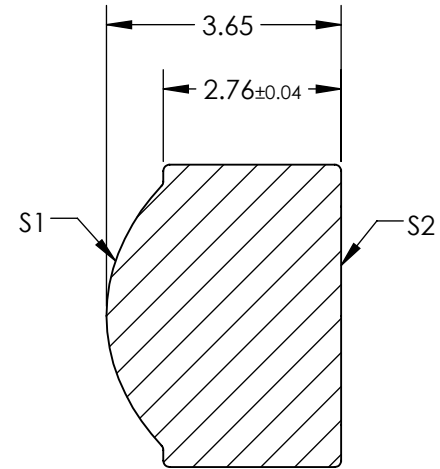
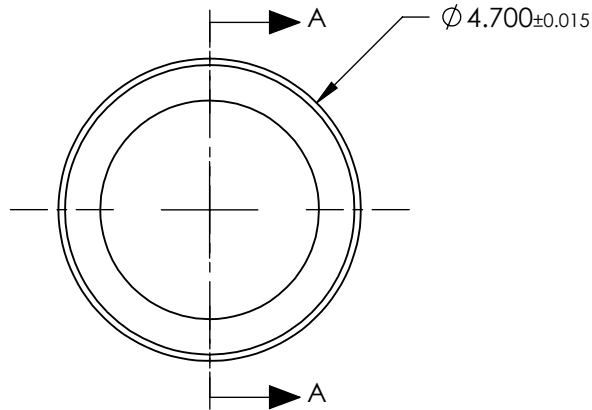


NOTES:


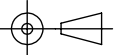
1. SUBSTRATE:
D-ZK3
2. NUMERICAL APERTURE: 0.43
3. COATING
S1 & S2: R(ABS) < 1.0% @ 600 - 1050nm
4. FOCAL LENGTH TOLERANCE: ±1%
5. TRANSMITTED WAVEFRONT ERROR (λ , RMS): < 0.070



SECTION A-A

**FOR INFORMATION ONLY:
DO NOT MANUFACTURE
PARTS TO THIS DRAWING**

SPECIFICATIONS SUBJECT TO CHANGE WITHOUT NOTICE DIMENSIONS ARE FOR REFERENCE ONLY

	S1	S2	EFL	4.5	 Edmund Optics®
			BFL	2.19	
SHAPE	CONVEX	PLANO	THIRD ANGLE PROJECTION 	TITLE	0.43 NA 4.50mm FL 600-1050nm AR Coated, Molded Aspheric Lens
SURFACE QUALITY	40-20	40-20		DWG NO	83579
CLEAR APERTURE	Ø3.65	Ø3.65		ALL DIMS IN	mm
BEVEL MAX	PROTECTIVE AS NEEDED	PROTECTIVE AS NEEDED			SHEET 1 OF 1