

NOTES:

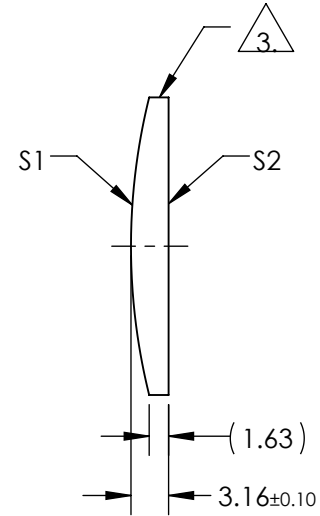
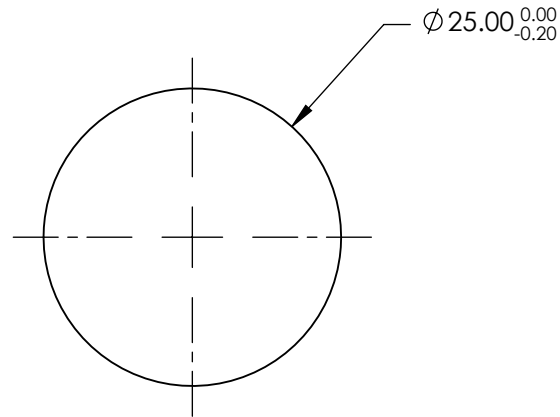
1. SUBSTRATE MATERIAL:  
N-BK7

2. COATING (APPLY ACROSS CLEAR APERTURE)

S1 & S2: VIS-NIR (400-1000nm)  
R(ABS) ≤0.25% @ 880nm  
R(AVG) ≤1.25% @ 400 - 870nm  
R(AVG) ≤1.25% @ 890 - 1000nm


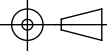
3. FINE GROUND SURFACE

4. RoHS COMPLIANT



**FOR INFORMATION ONLY:  
DO NOT MANUFACTURE  
PARTS TO THIS DRAWING**

SPECIFICATIONS SUBJECT TO CHANGE WITHOUT NOTICE  
DIMENSIONS ARE FOR REFERENCE ONLY

	S1	S2	EFL	100.00	 <b>Edmund Optics®</b>	25mm DIA X 100mm FL VIS-NIR COATED, CYLINDER LENS	
SHAPE	CONVEX	PLANO	BFL	97.98			
RADIUS	51.85	INFINITY	THIRD ANGLE PROJECTION 		TITLE		
SURFACE QUALITY	60-40	60-40					
CLEAR APERTURE	Ø24.00	Ø24.00	ALL DIMS IN	mm	DWG NO	69781	
BEVEL	PROTECTIVE AS NEEDED	PROTECTIVE AS NEEDED					
						SHEET 1 OF 1	