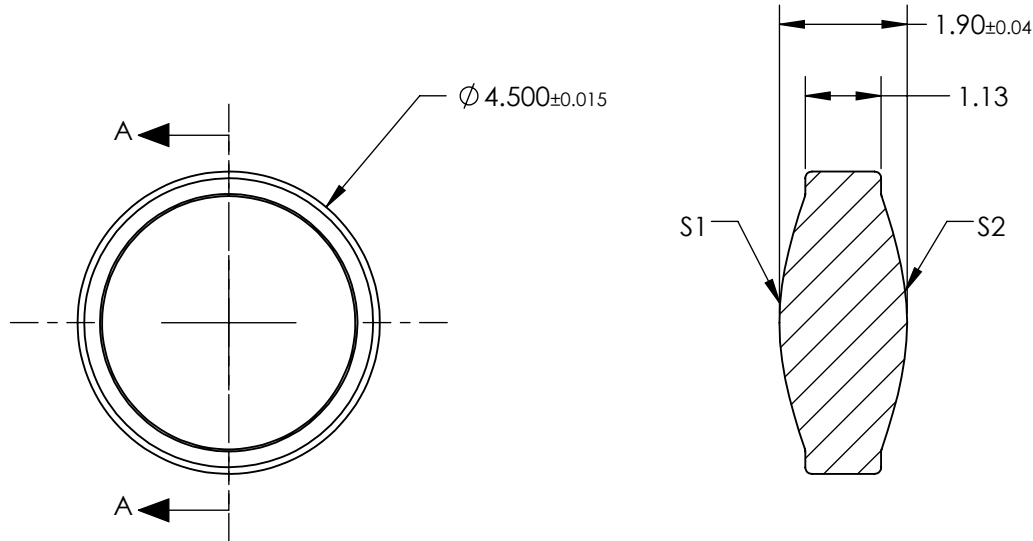


NOTES:


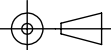
1. SUBSTRATE:
D-ZLAF52LA
2. NUMERICAL APERTURE: 0.55
3. COATING
S1 & S2: R(ABS) < 1.0% @ 1050 - 1600nm
4. FOCAL LENGTH TOLERANCE: ±1%
5. TRANSMITTED WAVEFRONT ERROR (λ , RMS): < 1.300



SECTION A-A

**FOR INFORMATION ONLY:
DO NOT MANUFACTURE
PARTS TO THIS DRAWING**

SPECIFICATIONS SUBJECT TO CHANGE WITHOUT NOTICE DIMENSIONS ARE FOR REFERENCE ONLY

	S1	S2	EFL	2.75	 Edmund Optics®		
			BFL	2.16			
SHAPE	CONVEX	CONVEX	THIRD ANGLE PROJECTION		TITLE	0.55 NA 2.75mm FL 1050-1600nm AR COATED, MOLDED ASPHERIC LENS	
SURFACE QUALITY	40-20	40-20	ALL DIMS IN	mm	DWG NO	66927	SHEET 1 OF 1
CLEAR APERTURE	Ø3.60	Ø3.60					
BEVEL MAX	PROTECTIVE AS NEEDED	PROTECTIVE AS NEEDED					