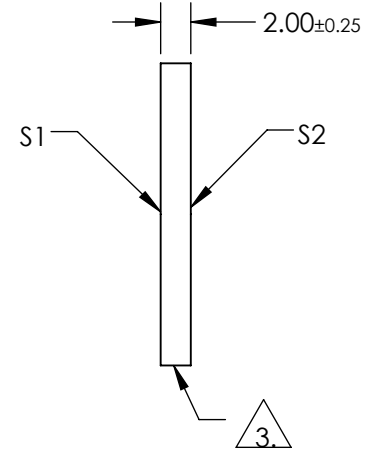
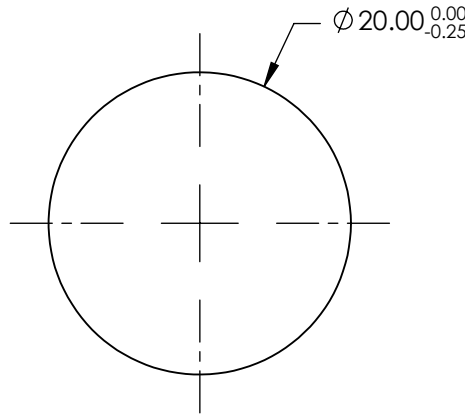
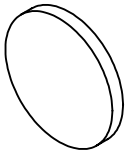


NOTES:

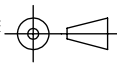
1. SUBSTRATE:  
BOROFLOAT®
2. COATING SPECIFICATION:  
S1: Enhanced Aluminum (450-650nm)  
R(AVG) >95% @ 450 - 650nm
3. FINE GROUND SURFACE
4. ROHS COMPLIANT



**FOR INFORMATION ONLY:  
DO NOT MANUFACTURE  
PARTS TO THIS DRAWING**

SPECIFICATIONS SUBJECT TO CHANGE WITHOUT NOTICE  
DIMENSIONS ARE FOR REFERENCE ONLY

	S1	S2
SHAPE	PLANO	PLANO
SURFACE QUALITY	60-40	COMMERCIAL POLISH
CLEAR APERTURE	$\varnothing 17.00$	N/A
BEVEL	PROTECTIVE AS NEEDED	PROTECTIVE AS NEEDED

THIRD ANGLE PROJECTION 

ALL DIMS IN mm

**EO**® Edmund Optics®

TITLE: 20mm Dia. Enhanced Aluminum,  $\lambda/4$  Mirror

DWG NO: 63163

SHEET 1 OF 1