

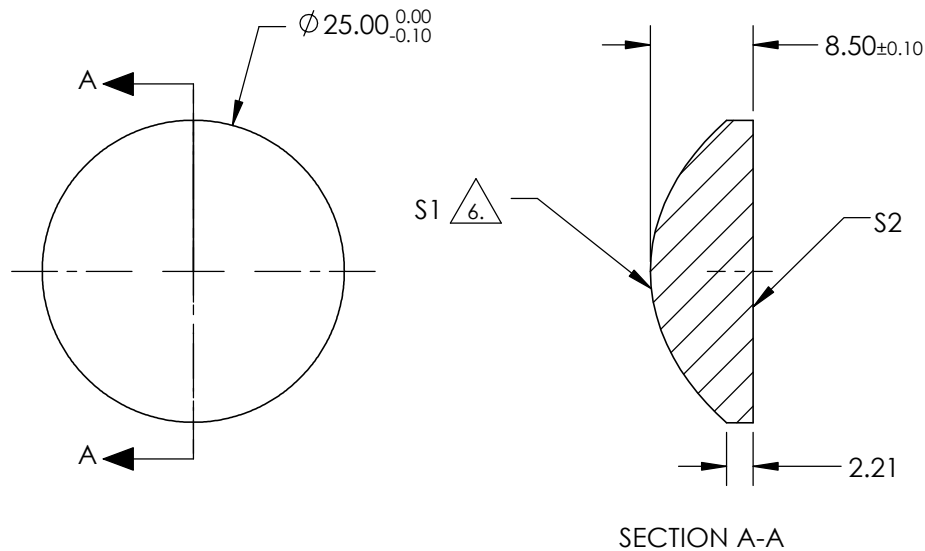
NOTES:

1. SUBSTRATE: FUSED SILICA
2. COATING (APPLY ACROSS CLEAR APERTURE)
 S1: R(avg) ≤1.5% @ 425 - 675nm
 S2: R(avg) ≤1.5% @ 425 - 675nm
3. EDGES: FINE GROUND
4. CENTERING: <3-5 ARCMIN
5. ASPHERE FIGURE ERROR: 0.75µm RMS

**FOR INFORMATION ONLY:
DO NOT MANUFACTURE
PARTS TO THIS DRAWING**

6. ASPHERIC SURFACE DESCRIBED BY (REF. COEFFICIENT TABLE)

$$Z_{ASPH}(Y) = \frac{(\frac{1}{RADIUS}) * Y^2}{1 + \sqrt{1 - (1+k) * (\frac{1}{RADIUS})^2 * Y^2}} + D * Y^2 + E * Y^4 + F * Y^6 + G * Y^8 + H * Y^{10} + J * Y^{12} + L * Y^{14}$$



COEFFICIENT TABLE	
COEFFICIENT	S1
k	-2.050191
D	0
E	7.1228748E-5
F	-1.0688222E-7
G	3.2884865E-10
H	-3.774342E-13
J	0
L	0

SPECIFICATIONS SUBJECT TO CHANGE WITHOUT NOTICE DIMENSIONS ARE FOR REFERENCE ONLY

REV. A	S1	S2	EFL @ 587.6nm	30	Edmund Optics®		
SHAPE	CONVEX	PLANO	BFL @ 587.6nm	24.17			
RADIUS	13.754	INFINITY			TITLE 25mm DIA 0.42 NA VIS COATED, UV FUSED SILICA ASPHERIC LENS		
SURFACE QUALITY	60-40	60-40					
CLEAR APERTURE	90%	90%	ALL DIMS IN	mm	DWG NO	49590	SHEET 1 OF 1
BEVEL MAX	PROTECTIVE AS NEEDED	PROTECTIVE AS NEEDED					