

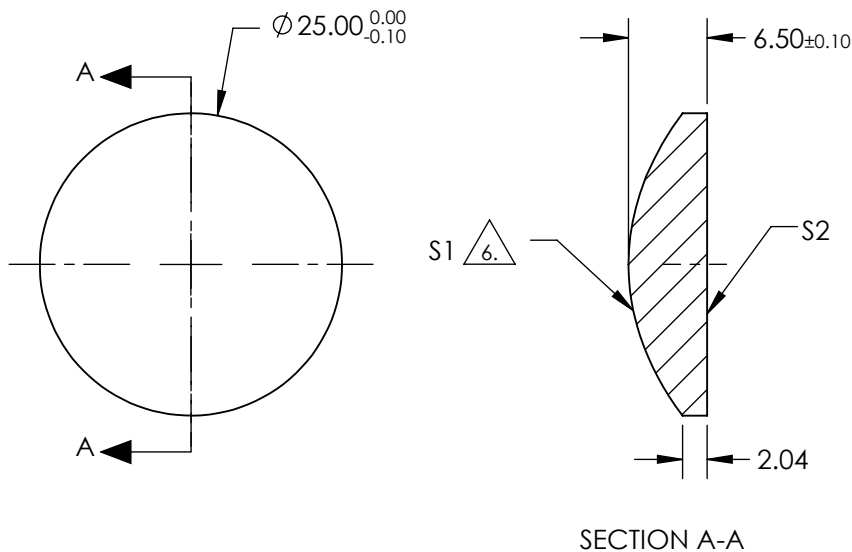
NOTES:

1. SUBSTRATE: L-BAL35
2. COATING (APPLY ACROSS CLEAR APERTURE)
 S1: R(avg) ≤1.5% @ 600 - 1050nm
 S2: R(avg) ≤1.5% @ 600 - 1050nm
3. EDGES: FINE GROUND
4. CENTERING: 3-5 ARCMIN
5. ASPHERE FIGURE ERROR: 0.75 μm RMS

**FOR INFORMATION ONLY:
DO NOT MANUFACTURE
PARTS TO THIS DRAWING**

6. ASPHERIC SURFACE DESCRIBED BY (REF. COEFFICIENT TABLE)

$$Z_{ASPH}(Y) = \frac{(\frac{1}{RADIUS}) * Y^2}{1 + \sqrt{1 - (1+k) * (\frac{1}{RADIUS})^2 * Y^2}} + D * Y^2 + E * Y^4 + F * Y^6 + G * Y^8 + H * Y^{10} + J * Y^{12} + L * Y^{14}$$



COEFFICIENT TABLE	
COEFFICIENT	S1
SEMI-DIAMETER	12.500000E+00
(1/RADIUS)	5.431831E-02
k	-1.607913E+00
D	0.000000E+00
E	2.063455E-05
F	-7.648977E-09
G	1.117573E-11
H	-1.010058E-14
J	0.000000E+00
L	0.000000E+00

SPECIFICATIONS SUBJECT TO CHANGE WITHOUT NOTICE DIMENSIONS ARE FOR REFERENCE ONLY

REV. A	S1	S2	EFL @ 587.6μm	31.25	Edmund Optics®		
SHAPE	CONVEX	PLANO	BFL @ 587.6μm	27.16			
RADIUS	18.410	INFINITY			TITLE 25mm DIA., 0.40 NUMERICAL APERTURE NIR COATED, ASPHERIC LENS		
SURFACE QUALITY	60-40	60-40					
CLEAR APERTURE	90%	90%	ALL DIMS IN	mm	DWG NO	49115	SHEET 1 OF 1
BEVEL MAX	PROTECTIVE AS NEEDED	PROTECTIVE AS NEEDED					