

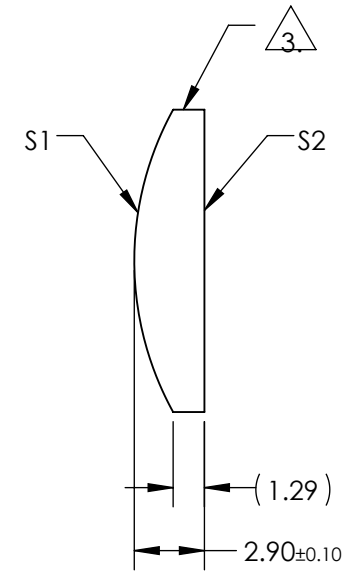
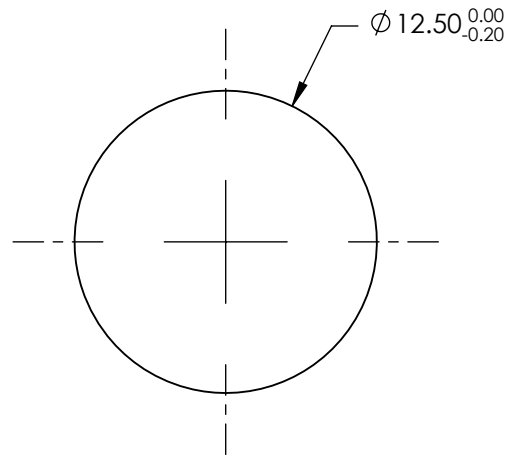
NOTES:

1. SUBSTRATE MATERIAL:
N-BK7
2. COATING (APPLY ACROSS CLEAR APERTURE)

S1 & S2: MgF2 (400-700nm)
R(AVG) ≤ 1.75% @ 400 - 700nm


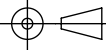
3. FINE GROUND SURFACE

4. RoHS COMPLIANT



**FOR INFORMATION ONLY:
DO NOT MANUFACTURE
PARTS TO THIS DRAWING**

SPECIFICATIONS SUBJECT TO CHANGE WITHOUT NOTICE
DIMENSIONS ARE FOR REFERENCE ONLY

	S1	S2	EFL	25.00	 Edmund Optics®		
SHAPE	CONVEX	PLANO	BFL	23.09			
RADIUS	12.96	INFINITY			TITLE	12.5mm DIA X 25mm FL MGF2 COATED, CYLINDER LENS	
SURFACE QUALITY	60-40	60-40					
CLEAR APERTURE	Ø11.50	Ø11.50			DWG NO	48353	SHEET 1 OF 1
BEVEL	PROTECTIVE AS NEEDED	PROTECTIVE AS NEEDED	ALL DIMS IN	mm			