

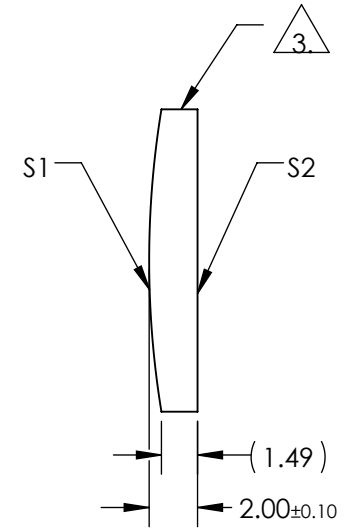
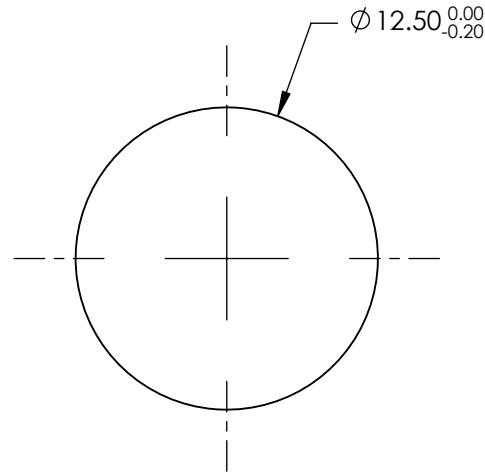
NOTES:

1. SUBSTRATE MATERIAL:
N-BK7
2. COATING (APPLY ACROSS CLEAR APERTURE)

S1 & S2: NONE


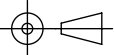
3. FINE GROUND SURFACE

4. RoHS COMPLIANT



**FOR INFORMATION ONLY:
DO NOT MANUFACTURE
PARTS TO THIS DRAWING**

SPECIFICATIONS SUBJECT TO CHANGE WITHOUT NOTICE
DIMENSIONS ARE FOR REFERENCE ONLY

	S1	S2	EFL	75.00	 Edmund Optics®		
SHAPE	CONVEX	PLANO	BFL	73.68			
RADIUS	38.76	INFINITY	THIRD ANGLE PROJECTION 		TITLE	12.5mm DIA X 75mm FL UNCOATED, CYLINDER LENS	
SURFACE QUALITY	60-40	60-40					
CLEAR APERTURE	Ø11.50	Ø11.50			DWG NO	47742	
BEVEL	PROTECTIVE AS NEEDED	PROTECTIVE AS NEEDED	ALL DIMS IN	mm			