

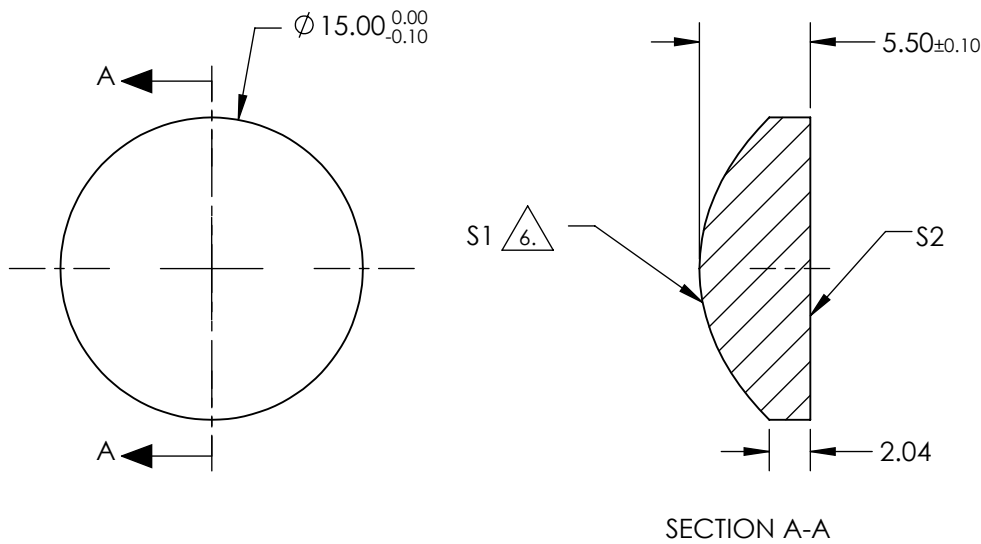
NOTES:

1. SUBSTRATE: L-BAL35
2. COATING
S1: NONE
S2: NONE
3. EDGES: FINE GROUND
4. CENTERING: 3-5 ARCMIN
5. ASPHERE FIGURE ERROR: 0.75 μm RMS

FOR INFORMATION ONLY:
DO NOT MANUFACTURE
PARTS TO THIS DRAWING

6. ASPHERIC SURFACE DESCRIBED BY (REF. COEFFICIENT TABLE)

$$Z_{ASPH}(Y) = \frac{(\frac{1}{RADIUS}) * Y^2}{1 + \sqrt{1 - (1+k) * (\frac{1}{RADIUS})^2 * Y^2}} + D * Y^2 + E * Y^4 + F * Y^6 + G * Y^8 + H * Y^{10} + J * Y^{12} + L * Y^{14}$$



COEFFICIENT TABLE 6.	
COEFFICIENT	S1
SEMI-DIAMETER	7.500000E+00
(1/RADIUS)	1.131606E-01
k	-1.427973E+00
D	0.000000E+00
E	1.577441E-04
F	-6.152040E-08
G	8.528969E-10
H	-3.504659E-12
J	0.000000E+00
L	0.000000E+00

SPECIFICATIONS SUBJECT TO CHANGE WITHOUT NOTICE DIMENSIONS ARE FOR REFERENCE ONLY

REV. A	S1	S2	EFL @ 587.6nm : 15		Edmund Optics®			
SHAPE	CONVEX	PLANO	BFL @ 587.6nm: 11.54					THIRD ANGLE PROJECTION
RADIUS	13.255	INFINITY	ALL DIMS IN	mm	DWG NO	47726	SHEET 1 OF 1	
SURFACE QUALITY	60-40	60-40						
CLEAR APERTURE	90%	90%						
BEVEL MAX	PROTECTIVE AS NEEDED	PROTECTIVE AS NEEDED						