

NOTES:

1. SUBSTRATE MATERIAL:
N-BK7

2. COATING (APPLY ACROSS CLEAR APERTURE)

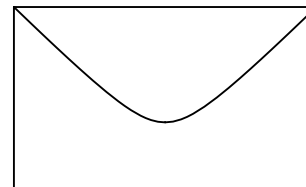
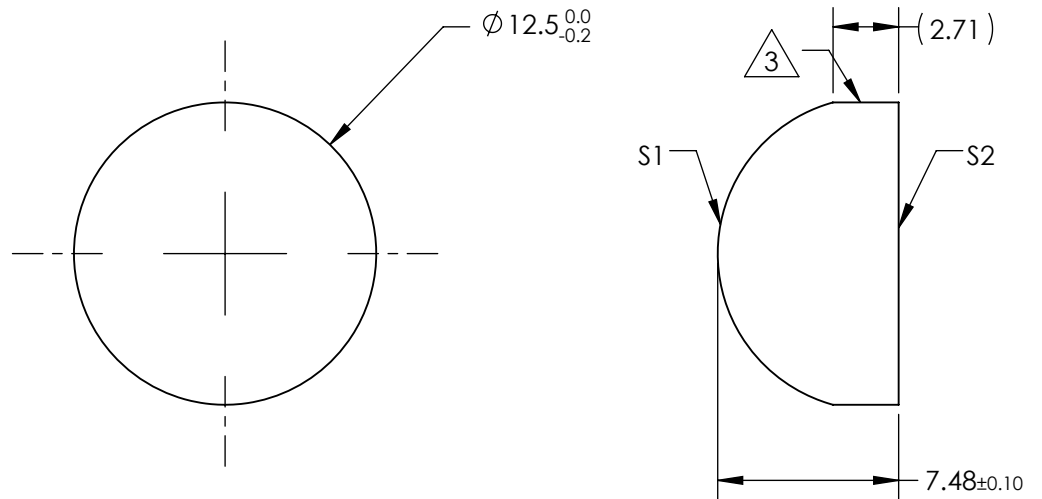
S1 & S2:
LASER V-COAT

R(abs) <0.25% @ 532nm
R(avg) <1.5% @ 495 - 570nm

 3. FINE GROUND SURFACE


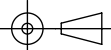
4. POWER, IRREGULARITY, AND SURFACE QUALITY SPECIFICATIONS APPLY ACROSS CLEAR APERTURE

5. RoHS COMPLIANT



**FOR INFORMATION ONLY:
DO NOT MANUFACTURE
PARTS TO THIS DRAWING**

SPECIFICATIONS SUBJECT TO CHANGE WITHOUT NOTICE
DIMENSIONS ARE FOR REFERENCE ONLY

REV. A	S1	S2	EFL	12.5±3%	 Edmund Optics®	
SHAPE	CONVEX	PLANO	BFL	(7.57)		
RADIUS	6.48	∞			DWG NO	33222
SURFACE QUALITY	60-40	60-40			ALL DIMS IN	mm
CLEAR APERTURE	∅ 11.50	∅ 11.50				
COATING APERTURE	∅ 11.50	∅ 11.50				
BEVEL	PROTECTED AS NEEDED	PROTECTED AS NEEDED				