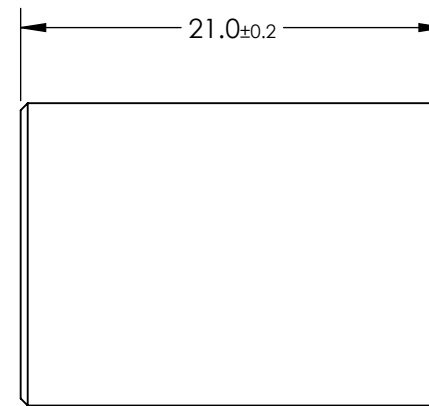
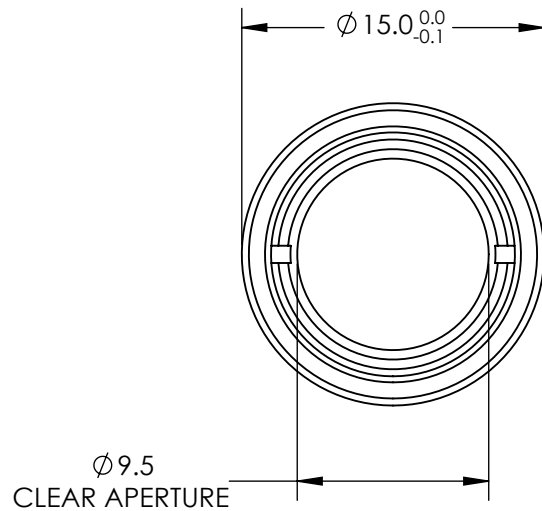
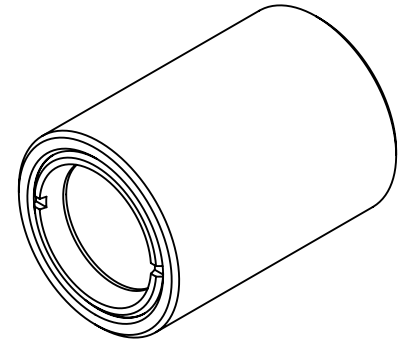


NOTES:

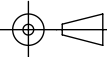
1. ELEMENT A: 32315
2. ELEMENT B: 32315



SPECIFICATIONS SUBJECT TO CHANGE WITHOUT NOTICE
DIMENSIONS ARE FOR REFERENCE ONLY

**FOR INFORMATION ONLY:
DO NOT MANUFACTURE
PARTS TO THIS DRAWING**

EO® Edmund Optics®

| | | | | |
|--|----|--------|---|-----------------|
| THIRD ANGLE PROJECTION  | | TITLE | 1:1 WITH 40mm AND 40mm EFL ACHROMATS, 15mm ACHROMATIC PAIR | |
| ALL DIMS IN | mm | DWG NO | 46000 | SHEET 1 OF 1 |