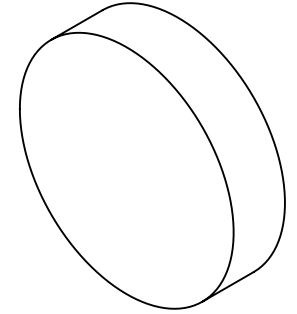


NOTES:

**FOR INFORMATION ONLY:  
DO NOT MANUFACTURE  
PARTS TO THIS DRAWING**

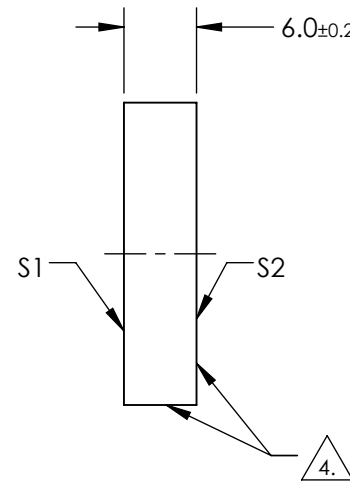
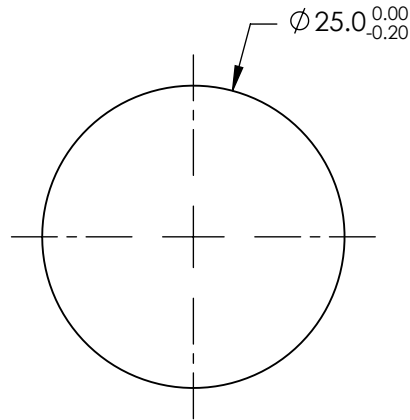


1. SUBSTRATE: Fused Silica
2. SURFACE S2 TO BE PARALLEL WITH SURFACE S1 TO WITHIN <3 arcmin
3. COATING SPECIFICATIONS APPLY ACROSS COATING APERTURE  
S1: Rabs >99.2% @ 1030 - 1090nm  
S2: UNCOATED

4. S2 & EDGES: FINE GRIND SURFACE

5. POWER, IRREGULARITY, AND SURFACE QUALITY SPECIFICATIONS APPLY ACROSS CLEAR APERTURE

6. ROHS COMPLIANT



SPECIFICATIONS SUBJECT TO CHANGE WITHOUT NOTICE  
DIMENSIONS ARE FOR REFERENCE ONLY

	S1	S2
SHAPE	PLANO	PLANO
SURFACE QUALITY	10-5	N/A
SURFACE FLATNESS	$\lambda/10$	N/A
COATING TYPE	Dielectric	N/A
COATING	Fiber Laser	N/A
BEVEL	PROTECTIVE AS NEEDED	PROTECTIVE AS NEEDED

THIRD ANGLE PROJECTION

ALL DIMS IN mm

**EO**® **Edmund Optics**®

TITLE

25.0mm Dia. 45° Fiber Laser Mirror

DWG NO

34280

SHEET  
1 OF 1