

NOTES:

1. SUBSTRATE MATERIAL:
BOROFLOAT®

2. COATING (APPLY ACROSS CLEAR APERTURE)

S1: PROTECTED ALUMINUM

R(avg) >85% @ 400 - 700nm

R(avg) >90% @ 400 - 2000nm

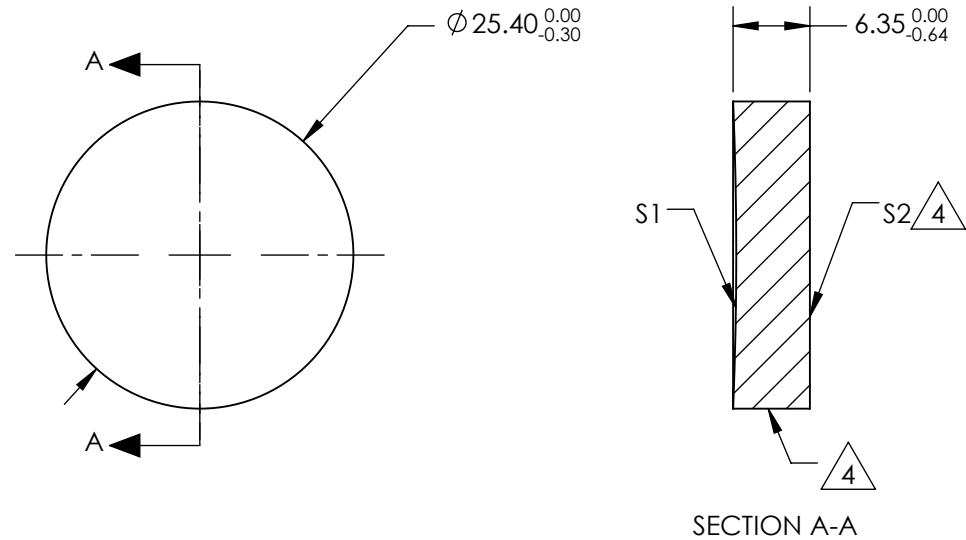
DENSITY LIMIT: 0.3 J/cm² @ 532nm & 1064nm, 10ns

S2: NONE

3. POWER, IRREGULARITY, SURFACE QUALITY, AND COATING SPECIFICATIONS APPLY ACROSS CLEAR APERTURE

△ FINE GROUND SURFACE

5. ROHS COMPLIANT

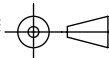


**FOR INFORMATION ONLY:
DO NOT MANUFACTURE
PARTS TO THIS DRAWING**

SPECIFICATIONS SUBJECT TO CHANGE WITHOUT NOTICE
DIMENSIONS ARE FOR REFERENCE ONLY

REV. A	S1	S2
SHAPE	CONCAVE	PLANO
EFFECTIVE FOCAL LENGTH	152.4mm	N/A
FOCAL LENGTH TOLERANCE	±2%	N/A
APERTURE	f/6	N/A
SURFACE QUALITY	60-40	60-40
SURFACE FLATNESS	λ/4	λ/4
BEVEL	PROTECTIVE AS NEEDED	PROTECTIVE AS NEEDED

THIRD ANGLE PROJECTION



ALL DIMS IN

mm

EO® Edmund Optics®

TITLE	DWG NO	SHEET
Ø1in, 6in FL PROTECTED ALUMINUM, SPHERICAL MIRRORS	49600	1 OF 1