

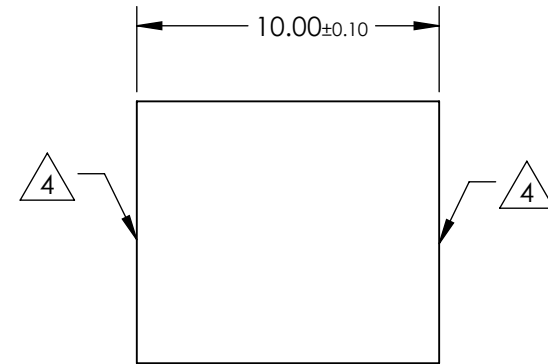
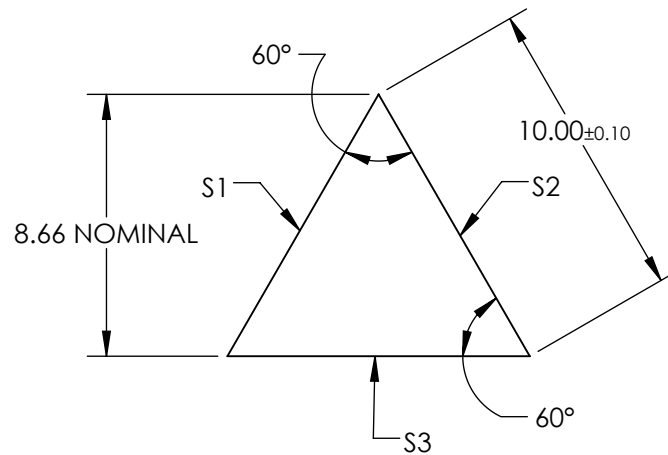
NOTES:

1. SUBSTRATE MATERIAL:
N-SF11
2. ROHS COMPLIANT
3. COATING (APPLY ACROSS CLEAR APERTURE)

S1: UNCOATED
S2: UNCOATED
S3: UNCOATED

 4. FINE GROUND SURFACE

**FOR INFORMATION ONLY:
DO NOT MANUFACTURE
PARTS TO THIS DRAWING**



SPECIFICATIONS SUBJECT TO CHANGE WITHOUT NOTICE
DIMENSIONS ARE FOR REFERENCE ONLY

REV. A	S1, S2, S3
ANGLE TOL. (arcmin)	±2
SURFACE QUALITY	40-20
SURFACE FLATNESS	λ/4
BEVEL	PROTECTIVE AS NEEDED

THIRD ANGLE PROJECTION 

ALL DIMS IN

mm

 **Edmund Optics®**

TITLE

10mm N-SF11 UNCOATED EQUILATERAL PRISM

DWG NO

47275

SHEET
1 OF 1