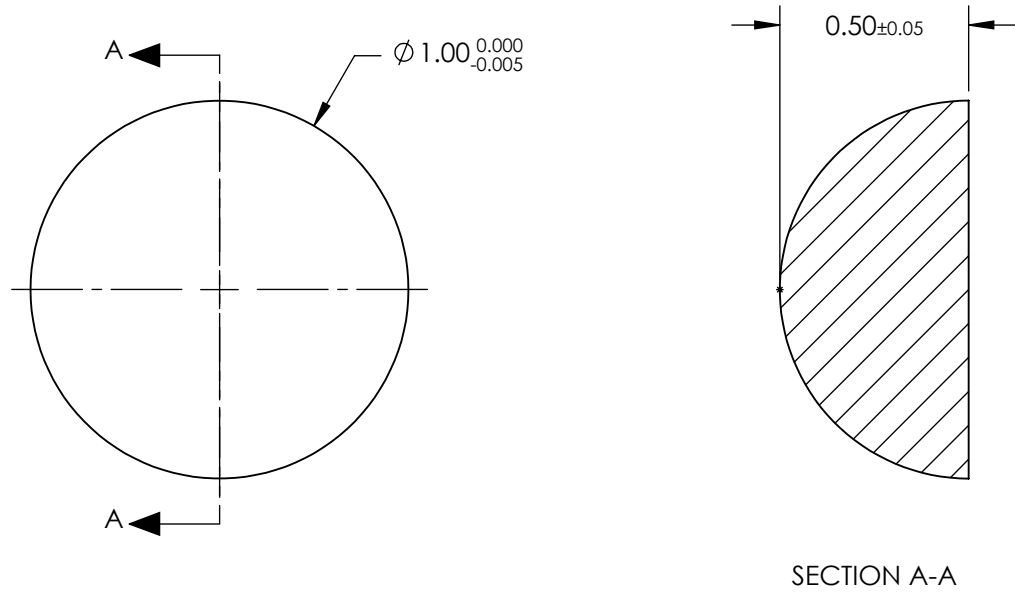


NOTES:

1. SUBSTRATE MATERIAL:
N-BK7
2. COATING - NONE
3. FINISH: POLISHED
4. RoHS COMPLIANT



SPECIFICATIONS SUBJECT TO CHANGE WITHOUT NOTICE
DIMENSIONS ARE FOR REFERENCE ONLY

**FOR INFORMATION ONLY:
DO NOT MANUFACTURE
PARTS TO THIS DRAWING**

EO® Edmund Optics®

THIRD ANGLE PROJECTION 		TITLE	1.0mm DIAMETER, N-BK7 HALF-BALL LENS	
ALL DIMS IN	mm	DWG NO	49568	SHEET 1 OF 1