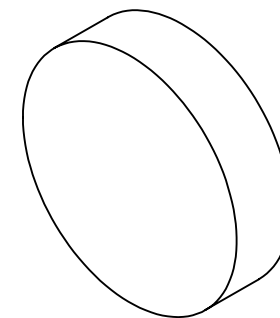


NOTES:

1. SUBSTRATE MATERIAL: BOROFLOAT®
2. COATING (APPLY ACROSS CLEAR APERTURE)
ENHANCED ALIUMINUM
S1: R(avg) >95% @ 450 - 650nm

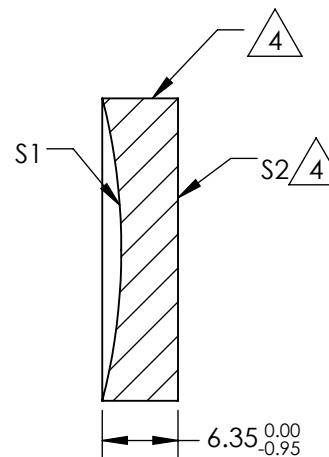
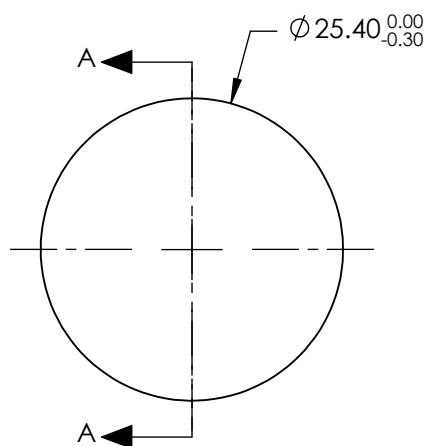
S2: NONE
3. POWER, IRREGULARITY, SURFACE QUALITY AND COATING SPECIFICATIONS APPLY ACROSS CLEAR APERTURE

**FOR INFORMATION ONLY:
DO NOT MANUFACTURE
PARTS TO THIS DRAWING**



△ FINE GRIND SURFACE

5. RoHS COMPLIANT



SECTION A-A

SPECIFICATIONS SUBJECT TO CHANGE WITHOUT NOTICE
DIMENSIONS ARE FOR REFERENCE ONLY

	S1	S2
SHAPE	CONCAVE	PLANO
RADIUS	50.8mm	N/A
EFFECTIVE FOCAL LENGTH	25.4mm	N/A
FOCAL LENGTH TOLERANCE	±2%	N/A
SURFACE QUALITY	60-40	FINE GROUND
SURFACE FLATNESS	λ/4	N/A
BEVEL	PROTECTIVE AS NEEDED	PROTECTIVE AS NEEDED

THIRD ANGLE PROJECTION

ALL DIMS IN mm

Edmund Optics®

TITLE Ø1in, 1in FL ENHANCED ALIUMINUM, SPHERICAL MIRRORS

DWG NO 43536 SHEET 1 OF 1