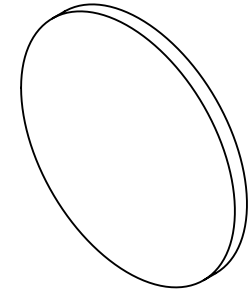


NOTES:

**FOR INFORMATION ONLY:
DO NOT MANUFACTURE
PARTS TO THIS DRAWING**



1. SUBSTRATE: N-BK7
2. COATING (APPLY ACROSS CLEAR APERTURE)

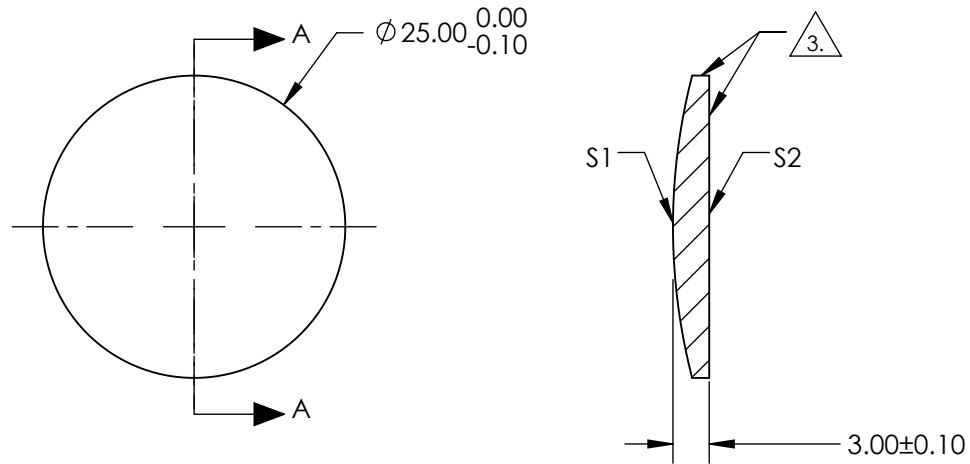
S1: ALUMINUM WITH PROTECTIVE OVERCOAT
R(AVG) > 85% FROM 400-700nm @ 0° AOI
R(AVG) > 90% FROM 400-2,000nm @ 0° AOI

S2: NONE

FINE GRIND SURFACE

4. POWER, IRREGULARITY, AND SURFACE QUALITY SPECIFICATIONS
APPLY ACROSS CLEAR APERTURE

5. ROHS COMPLIANT



SECTION A-A

SPECIFICATIONS SUBJECT TO CHANGE WITHOUT NOTICE
DIMENSIONS ARE FOR REFERENCE ONLY

	S1	S2
SHAPE	CONVEX	PLANO
RADIUS	50mm	N/A
SURFACE QUALITY	60-40	N/A
FOCAL LENGTH TOLERANCE	$\pm 2\%$	N/A
BEVEL	PROTECTIVE AS NEEDED	PROTECTIVE AS NEEDED

THIRD ANGLE PROJECTION ALL DIMS IN mm

Edmund Optics®

TITLE	Ø25mm, -25mm FL PROTECTED ALUMINUM, CONVEX MIRROR	
DWG NO	87656	SHEET 1 OF 1