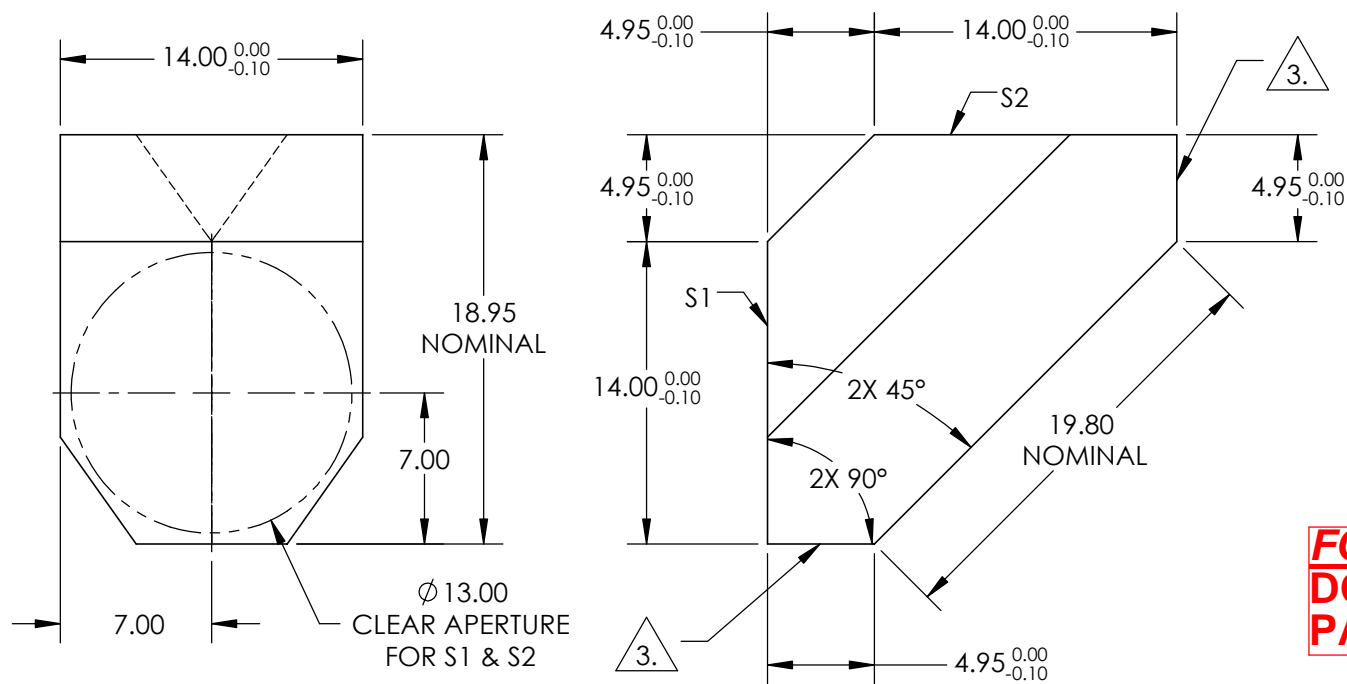
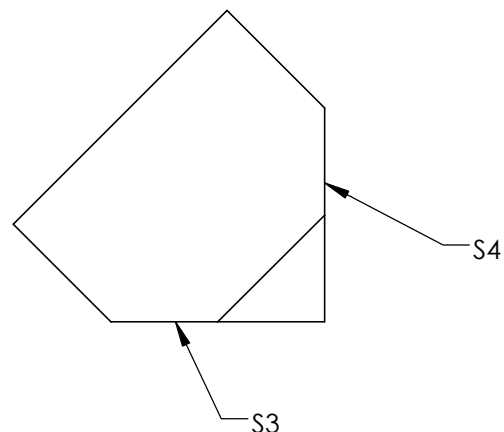
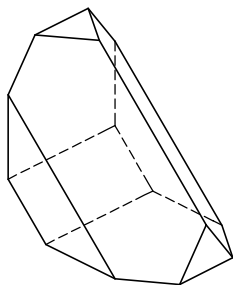


NOTES:

- 1. SUBSTRATE : N-BK7
- 2. COATING (APPLY ACROSS CLEAR APERTURE)
S1 & S2 : UNCOATED
S3 & S4 : UNCOATED
- 3. FINE GRIND SURFACE
- 4. RoHS COMPLIANT



**FOR INFORMATION ONLY:
DO NOT MANUFACTURE
PARTS TO THIS DRAWING**

SPECIFICATIONS SUBJECT TO CHANGE WITHOUT NOTICE
DIMENSIONS ARE FOR REFERENCE ONLY

| | |
|-----------------------|----------------------|
| REV. A | S1, S2, S3, & S4 |
| SHAPE | PLANO |
| RESOLUTION (arcsec) | 6 |
| ANGLE TOL. (arcmin) | ±5 |
| WAVELENGTH RANGE (nm) | 350 - 2200 |
| SURFACE QUALITY | 60-40 |
| SURFACE FLATNESS | λ/2 |
| BEVEL | PROTECTIVE AS NEEDED |



ALL DIMS IN mm

| | |
|--------|---------------------------------|
| | |
| TITLE | 14mm UNCOATED, AMICI ROOF PRISM |
| DWG NO | 45261 |
| SHEET | 1 OF 1 |