

NOTES:

1. SUBSTRATE MATERIAL: BOROFLOAT®

2. COATING (APPLY ACROSS CLEAR APERTURE)

S1: PROTECTED GOLD

R(avg) >96% @ 700 - 2000nm

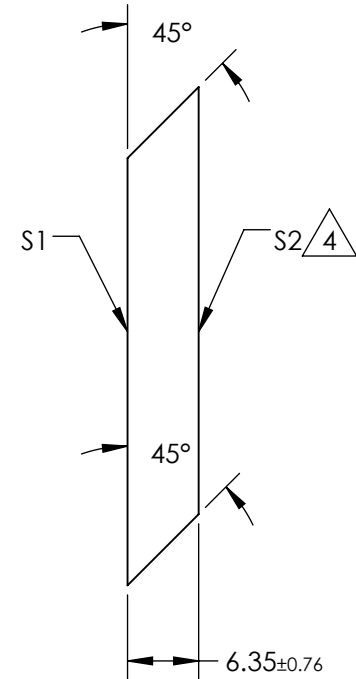
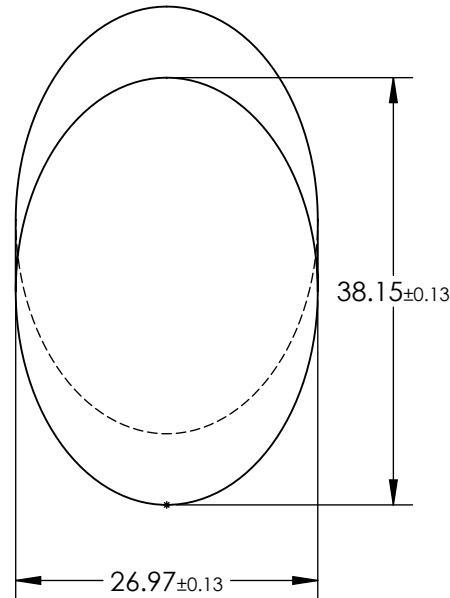
R(avg) >96% @ 2000 - 10,000nm

DENSITY LIMIT: 0.8 J/cm² @ 1064nm, 10ns

S2: NONE

3. FINE GRIND SURFACE

4. RoHS COMPLIANT

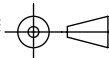


**FOR INFORMATION ONLY:
DO NOT MANUFACTURE
PARTS TO THIS DRAWING**

SPECIFICATIONS SUBJECT TO CHANGE WITHOUT NOTICE
DIMENSIONS ARE FOR REFERENCE ONLY

REV. A	S1	S2
TYPE	PLANO	PLANO
WAVELENGTH RANGE (nm)	700 - 10000	700 - 10000
SURFACE QUALITY	60-40	N/A
SURFACE FLATNESS	λ/8	N/A
BEVEL	PROTECTIVE AS NEEDED	PROTECTIVE AS NEEDED

THIRD ANGLE
PROJECTION



ALL DIMS IN

mm



TITLE	DWG NO	SHEET
26.97mm, MINOR AXIS PROTECTED GOLD ELLIPTICAL MIRROR	32086	1 OF 1