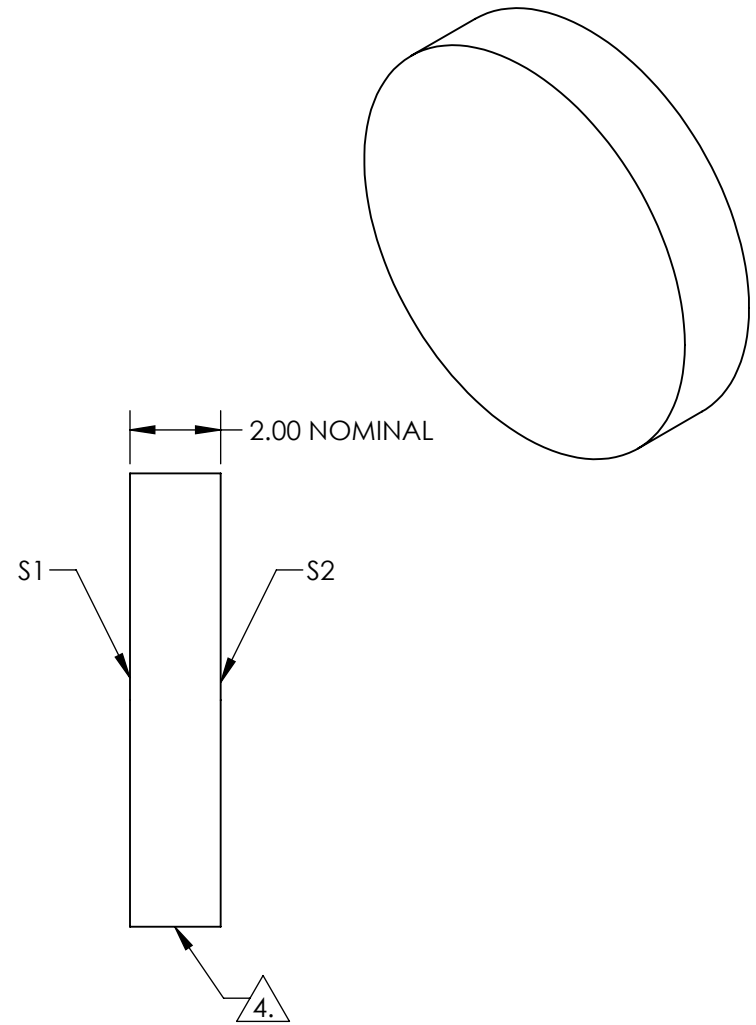
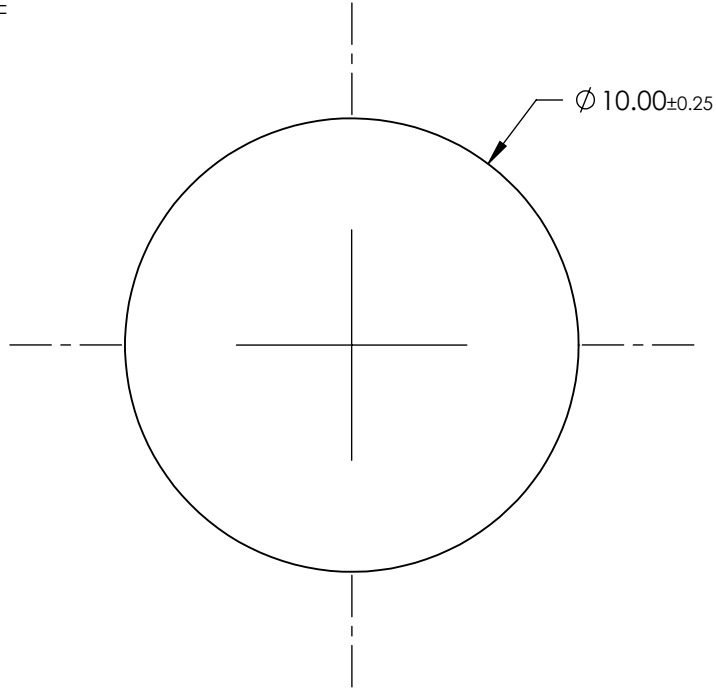


NOTES:

- 1. SUBSTRATE: Float Glass
- 2. ROHS COMPLIANT
- 3. COATING (APPLY ACROSS CLEAR APERTURE)

S1: Ravg >98% @ 450 - 2000nm  
 Ravg >98% @ 2000 - 10,000nm  
 S2: NONE

4. FINE GRIND SURFACE



**FOR INFORMATION ONLY:  
 DO NOT MANUFACTURE  
 PARTS TO THIS DRAWING**

SPECIFICATIONS SUBJECT TO CHANGE WITHOUT NOTICE  
 DIMENSIONS ARE FOR REFERENCE ONLY

**EO**® Edmund Optics®

	S1	S2
SURFACE QUALITY	60-40	60-40
SURFACE FLATNESS	4 - 6λ	4 - 6λ
BEVEL	PROTECTED AS NEEDED	PROTECTED AS NEEDED



ALL DIMS IN mm

TITLE	10mm Dia Silver, 4-6λ Mirror		
DWG NO	89467	SHEET	1 OF 1