

NOTES:

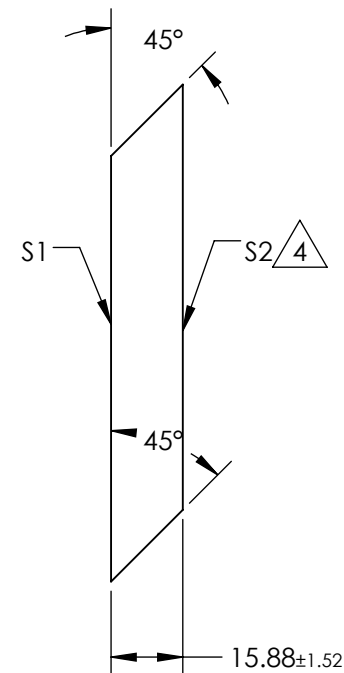
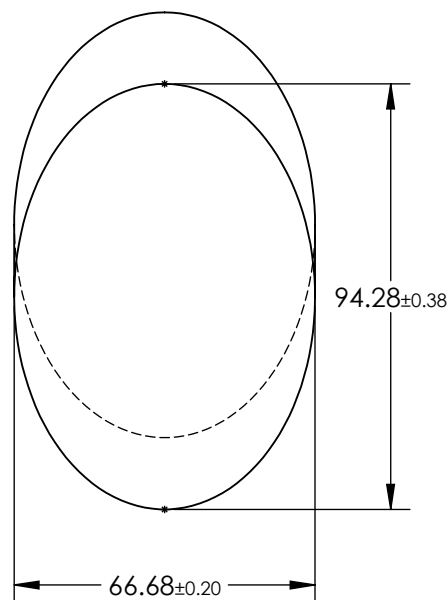
- 1. SUBSTRATE MATERIAL: BOROFLOAT®
- 2. COATING (APPLY ACROSS CLEAR APERTURE)

S1: R(AVG) >96% @ 700 - 2000nm  
 R(AVG) >96% @ 2000 - 10,000nm

S2: NONE

3. FINE GRIND SURFACE

4. RoHS COMPLIANT

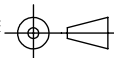


**FOR INFORMATION ONLY:  
 DO NOT MANUFACTURE  
 PARTS TO THIS DRAWING**

SPECIFICATIONS SUBJECT TO CHANGE WITHOUT NOTICE  
 DIMENSIONS ARE FOR REFERENCE ONLY

|                     |                      |                      |
|---------------------|----------------------|----------------------|
|                     | S1                   | S2                   |
| TYPE                | PLANO                | PLANO                |
| CLEAR APERTURE (mm) | 84.86 x 60.02        | N/A                  |
| SURFACE QUALITY     | 60-40                | N/A                  |
| SURFACE FLATNESS    | $\lambda/8$          | N/A                  |
| BEVEL               | PROTECTIVE AS NEEDED | PROTECTIVE AS NEEDED |

THIRD ANGLE  
 PROJECTION



ALL DIMS IN

mm

**EO**® Edmund Optics®

TITLE

66.68mm, MINOR AXIS PROTECTED SILVER  
 ELLIPTICAL MIRROR

DWG NO

89461

SHEET  
 1 OF 1