

NOTES:

1. SUBSTRATE MATERIAL: BOROFLOAT®

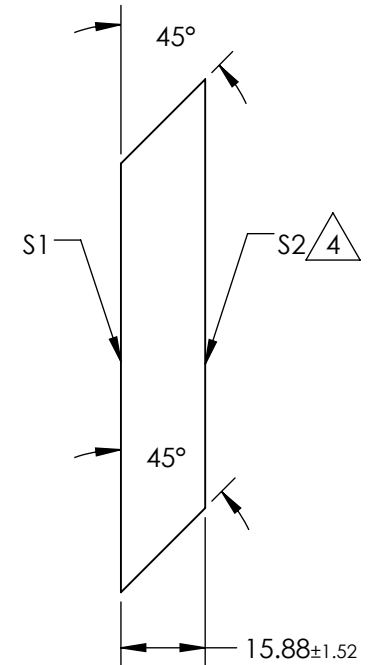
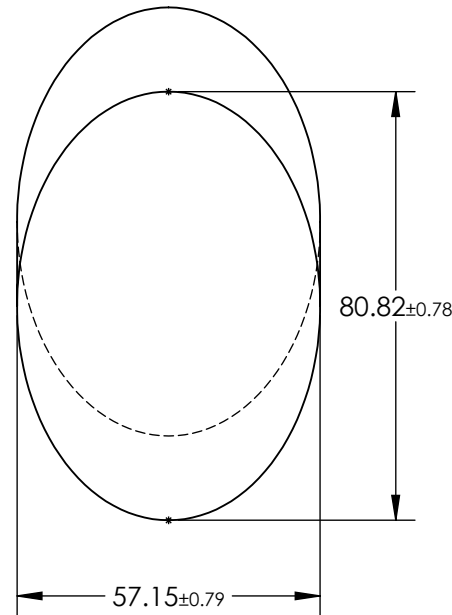
2. COATING (APPLY ACROSS CLEAR APERTURE)

S1: R(AVG) >96% @ 700 - 2000nm  
 R(AVG) >96% @ 2000 - 10,000nm

S2: NONE

3. FINE GRIND SURFACE

4. RoHS COMPLIANT

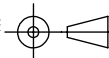


**FOR INFORMATION ONLY:  
 DO NOT MANUFACTURE  
 PARTS TO THIS DRAWING**

SPECIFICATIONS SUBJECT TO CHANGE WITHOUT NOTICE  
 DIMENSIONS ARE FOR REFERENCE ONLY

	S1	S2
TYPE	PLANO	PLANO
CLEAR APERTURE (mm)	72.75 x 51.44	N/A
SURFACE QUALITY	60-40	N/A
SURFACE FLATNESS	$\lambda/8$	N/A
BEVEL	PROTECTIVE AS NEEDED	PROTECTIVE AS NEEDED

THIRD ANGLE  
 PROJECTION



ALL DIMS IN

mm



TITLE  
 57.15mm, MINOR AXIS PROTECTED SILVER  
 ELLIPTICAL MIRROR

DWG NO

89460

SHEET  
 1 OF 1