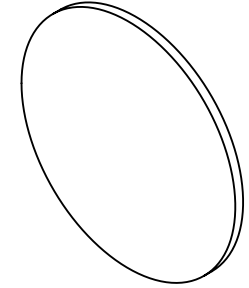


NOTES:

**FOR INFORMATION ONLY:
DO NOT MANUFACTURE
PARTS TO THIS DRAWING**



1. SUBSTRATE: N-BK7
2. COATING (APPLY ACROSS CLEAR APERTURE)

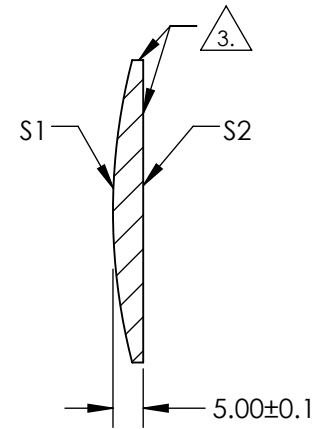
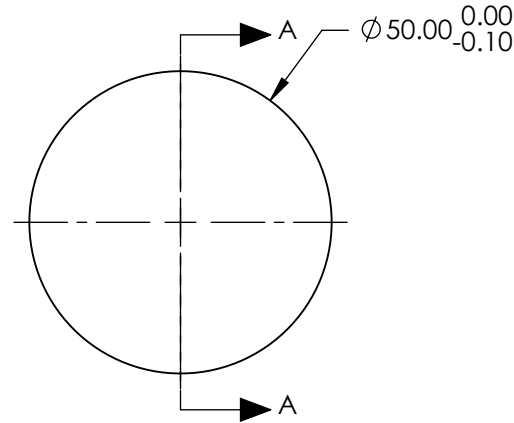
S1: SILVER WITH PROTECTIVE OVERCOAT
R(AVG) > 98% FROM 0.45-10.0 Microns @ 0° AOI

S2: NONE

 FINE GRIND SURFACE

4. POWER, IRREGULARITY, AND SURFACE QUALITY SPECIFICATIONS
APPLY ACROSS CLEAR APERTURE

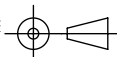
5. ROHS COMPLIANT



SECTION A-A

SPECIFICATIONS SUBJECT TO CHANGE WITHOUT NOTICE
DIMENSIONS ARE FOR REFERENCE ONLY

	S1	S2
SHAPE	CONVEX	PLANO
RADIUS	100mm	N/A
SURFACE QUALITY	60-40	N/A
FOCAL LENGTH TOLERANCE	±2%	N/A
BEVEL	PROTECTIVE AS NEEDED	PROTECTIVE AS NEEDED

THIRD ANGLE PROJECTION 

ALL DIMS IN mm

 **Edmund Optics®**

TITLE: Ø50mm, -50mm FL PROTECTED SILVER, CONVEX MIRROR

DWG NO: 87684

SHEET 1 OF 1