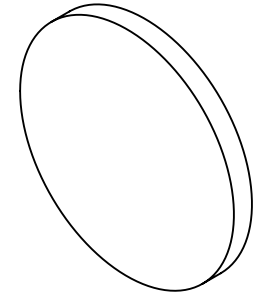


NOTES:

**FOR INFORMATION ONLY:
DO NOT MANUFACTURE
PARTS TO THIS DRAWING**



1. SUBSTRATE: N-BK7
2. COATING (APPLY ACROSS CLEAR APERTURE)

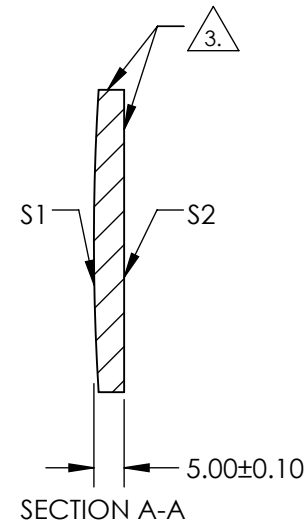
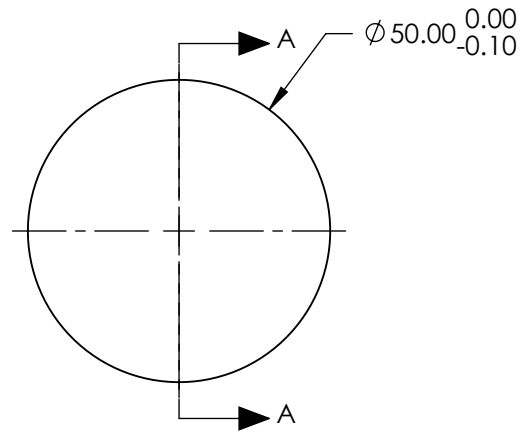
S1: ALUMINUM WITH PROTECTIVE OVERCOAT
R(AVG) > 85% FROM 400-700nm @ 0° AOI
R(AVG) > 90% FROM 400-2,000nm @ 0° AOI

S2: NONE

FINE GRIND SURFACE

4. POWER, IRREGULARITY, AND SURFACE QUALITY SPECIFICATIONS
APPLY ACROSS CLEAR APERTURE

5. ROHS COMPLIANT



SPECIFICATIONS SUBJECT TO CHANGE WITHOUT NOTICE
DIMENSIONS ARE FOR REFERENCE ONLY

	S1	S2
SHAPE	CONVEX	PLANO
RADIUS	400mm	N/A
SURFACE QUALITY	60-40	N/A
FOCAL LENGTH TOLERANCE	±2%	N/A
BEVEL	PROTECTIVE AS NEEDED	PROTECTIVE AS NEEDED

THIRD ANGLE PROJECTION ALL DIMS IN mm

Edmund Optics®

TITLE: Ø50mm, -200mm FL PROTECTED ALUMINUM, CONVEX MIRROR

DWG NO: 87664

SHEET 1 OF 1