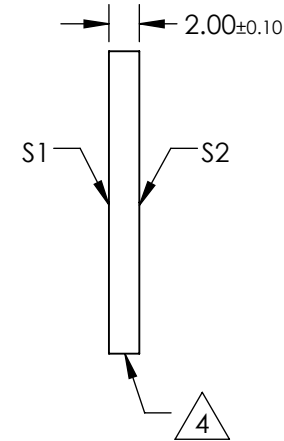
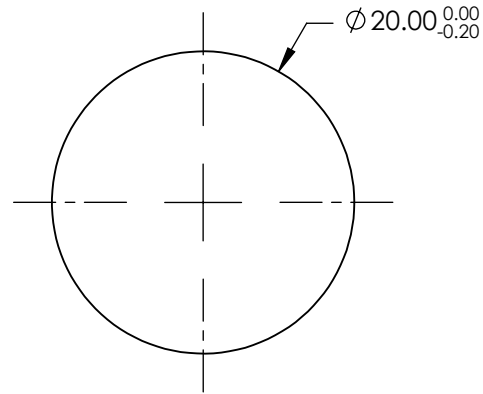
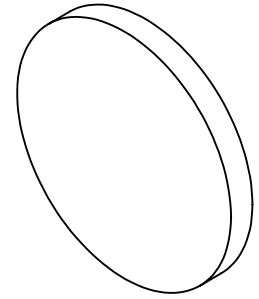


NOTES:

1. SUBSTRATE: UV GRADE FUSED SILICA
2. COATING (APPLY ACROSS CLEAR APERTURE)
S1 & S2: RAVG $\leq 0.5\%$ @ 600 - 1050nm
3. SURFACE S2 TO BE PARALLEL WITH S1 TO WITHIN < 5 ARCSEC

 FINE GRIND SURFACE

5. RoHS COMPLIANT

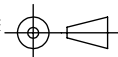


**FOR INFORMATION ONLY:
DO NOT MANUFACTURE
PARTS TO THIS DRAWING**

SPECIFICATIONS SUBJECT TO CHANGE WITHOUT NOTICE
DIMENSIONS ARE FOR REFERENCE ONLY

 **Edmund Optics[®]**

	S1	S2
SHAPE	PLANO	PLANO
SURFACE QUALITY	20-10	20-10
CLEAR APERTURE	$\phi 16.00$	$\phi 16.00$
BEVEL	PROTECTIVE AS NEEDED	PROTECTIVE AS NEEDED

THIRD ANGLE PROJECTION 

ALL DIMS IN mm

TITLE	20mm DIA., 2mm THICK, NIR I COATED $\lambda/10$ FUSED SILICA WINDOW		
DWG NO	84464	SHEET	1 OF 1