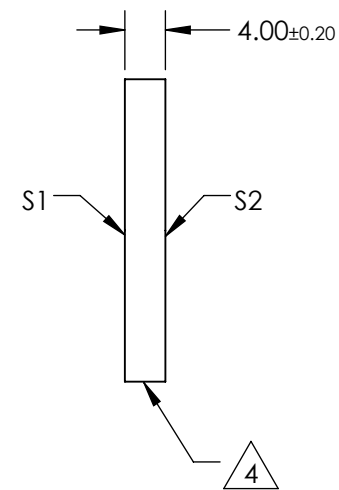
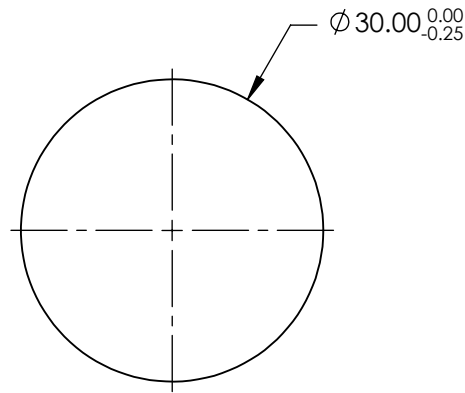
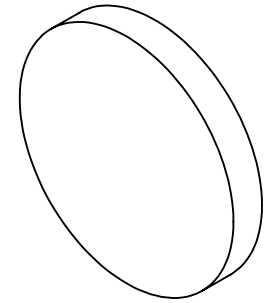


NOTES:

1. SUBSTRATE:
N-BK7
2. S2 TO BE PARALLEL WITH S1 TO <1 arcmin
3. COATING (APPLY ACROSS CLEAR APERTURE)
S1 & S2: RAVG ≤0.5% @ 600 - 1050nm

4. FINE GRIND SURFACE

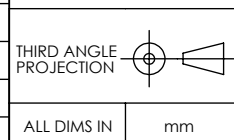
5. RoHS COMPLIANT



**FOR INFORMATION ONLY:
DO NOT MANUFACTURE
PARTS TO THIS DRAWING**

SPECIFICATIONS SUBJECT TO CHANGE WITHOUT NOTICE
DIMENSIONS ARE FOR REFERENCE ONLY

	S1	S2
SHAPE	PLANO	PLANO
SURFACE QUALITY	60-40	60-40
CLEAR APERTURE	Ø27.00	Ø27.00
BEVEL	PROTECTIVE AS NEEDED	PROTECTIVE AS NEEDED



TITLE	30mm DIA., 4mm THICK, NIR I COATED λ/4 N-BK7 WINDOW
DWG NO	83474
	SHEET 1 OF 1