

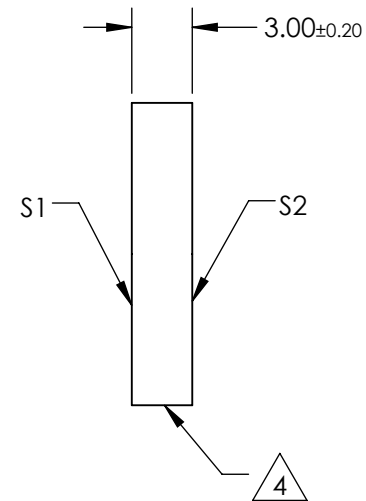
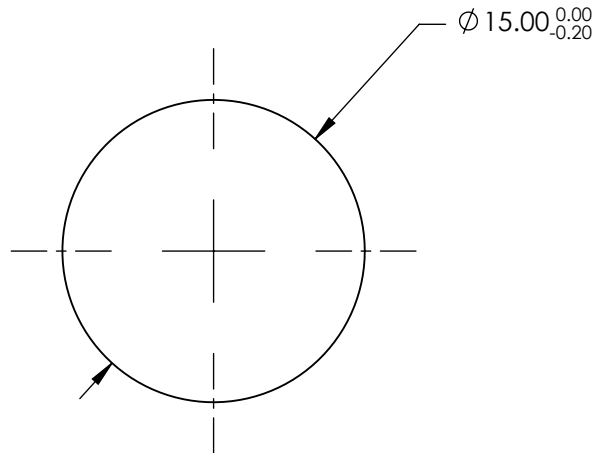
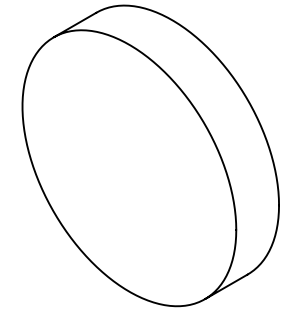
NOTES:

1. SUBSTRATE MATERIAL: Fused Silica
2. SURFACE S2 TO BE PARALLEL WITH S1 TO 30 arcsec
3. COATING (APPLY ACROSS CLEAR APERTURE)

S1: Protected Silver  
 R(avg) >98% @ 450 - 2000nm  
 R(avg) >98% @ 2000 - 10,000nm  
 S2: NONE

 FINE GRIND SURFACE

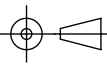
5. RoHS COMPLIANT



**FOR INFORMATION ONLY:  
 DO NOT MANUFACTURE  
 PARTS TO THIS DRAWING**

SPECIFICATIONS SUBJECT TO CHANGE WITHOUT NOTICE  
 DIMENSIONS ARE FOR REFERENCE ONLY



REV. A	S1	S2	THIRD ANGLE PROJECTION 		TITLE	15mm Diameter Protected Silver Coated, λ/10 Mirror	
SURFACE QUALITY	20-10	COMMERCIAL POLISH			DWG NO	68325	SHEET 1 OF 1
SURFACE FLATNESS	λ/10	NA	ALL DIMS IN	mm			
BEVEL	PROTECTIVE AS NEEDED	PROTECTIVE AS NEEDED					