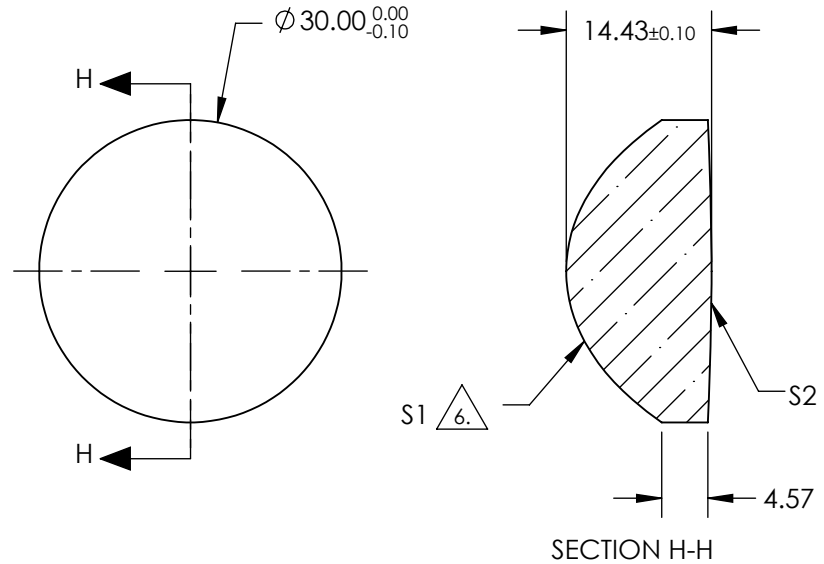


NOTES:

1. SUBSTRATE: L-BAL35
2. COATING (APPLY ACROSS CLEAR APERTURE)
 S1: R(avg) ≤1.5% @ 425 - 675nm
 S2: R(avg) ≤1.5% @ 425 - 675nm
3. EDGES: FINE GROUND
4. CENTERING: 3-5 ARCMIN
5. ASPHERE FIGURE ERROR: 0.75 μm RMS

△ ASPHERIC SURFACE DESCRIBED BY (REF. COEFFICIENT TABLE)

$$Z_{ASPH}(Y) = \frac{(\frac{1}{RADIUS}) * Y^2}{1 + \sqrt{1 - (1+k) * (\frac{1}{RADIUS})^2 * Y^2}} + D * Y^2 + E * Y^4 + F * Y^6 + G * Y^8 + H * Y^{10} + J * Y^{12} + L * Y^{14}$$



COEFFICIENT TABLE △	
COEFFICIENT	S1
SEMI-DIAMETER	15.000000E+00
(1/RADIUS)	7.341611E-02
k	-6.250402E-01
D	0.000000E+00
E	0.000000E+00
F	3.055889E-08
G	-1.438345E-10
H	0.000000E+00
J	0.000000E+00
L	0.000000E+00

**FOR INFORMATION ONLY:
DO NOT MANUFACTURE
PARTS TO THIS DRAWING**

SPECIFICATIONS SUBJECT TO CHANGE WITHOUT NOTICE DIMENSIONS ARE FOR REFERENCE ONLY

REV. A	S1	S2	EFL @ 587.6μm	22.5	Edmund Optics®		
SHAPE	CONVEX	CONVEX	BFL @ 587.6μm	13.73	THIRD ANGLE PROJECTION	TITLE	
RADIUS	5.731	300.000	30mm DIA., 0.66 NUMERICAL APERTURE VIS COATED, ASPHERIC LENS				
SURFACE QUALITY	60-40	60-40	ALL DIMS IN	mm	DWG NO	66321	
CLEAR APERTURE	90%	90%					SHEET 1 OF 1
BEVEL MAX	PROTECTIVE AS NEEDED	PROTECTIVE AS NEEDED					