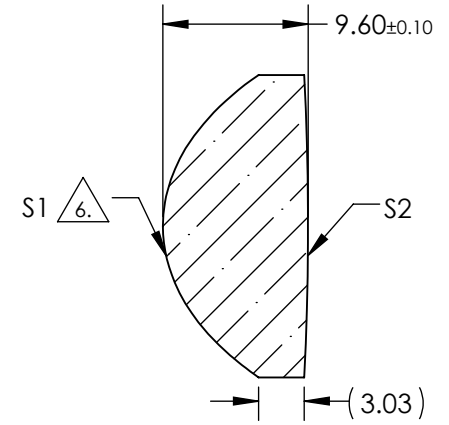
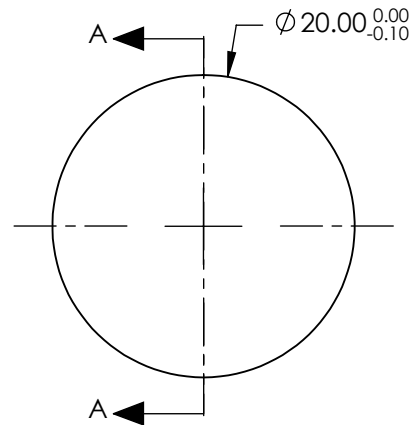


NOTES:

1. SUBSTRATE: L-BAL35
2. COATING
S1: NONE
S2: NONE
3. EDGES: FINE GROUND
4. CENTERING: 3-5 ARCMIN
5. ASPHERE FIGURE ERROR: 0.75 μm RMS

△ ASPHERIC SURFACE DESCRIBED BY (REF. COEFFICIENT TABLE)

$$Z_{ASPH}(Y) = \frac{(1/RADIUS) * Y^2}{1 + \sqrt{1 - (1+k) * (1/RADIUS)^2 * Y^2}} + D * Y^2 + E * Y^4 + F * Y^6 + G * Y^8 + H * Y^{10} + J * Y^{12} + L * Y^{14}$$



SECTION A-A

COEFFICIENT TABLE △ 6.

COEFFICIENT	S1
SEMI-DIAMETER	10.000000E+00
(1/RADIUS)	1.101112E-01
k	-6.249874E-01
D	0.000000E+00
E	0.000000E+00
F	2.320534E-07
G	-2.457574E-09
H	0.000000E+00
J	0.000000E+00
L	0.000000E+00

**FOR INFORMATION ONLY:
DO NOT MANUFACTURE
PARTS TO THIS DRAWING**

SPECIFICATIONS SUBJECT TO CHANGE WITHOUT NOTICE DIMENSIONS ARE FOR REFERENCE ONLY

	S1	S2	EFL @587.6 : 15			
SHAPE	CONVEX	CONVEX	BFL @587.6 : 9.16			
RADIUS	9.08	200.00			TITLE	20mm DIA., 0.66 NUMERICAL APERTURE UNCOATED, ASPHERIC LENS
SURFACE QUALITY	60-40	60-40			DWG NO	66309
CLEAR APERTURE	90%	90%	ALL DIMS IN	mm		
BEVEL MAX	PROTECTIVE AS NEEDED	PROTECTIVE AS NEEDED				