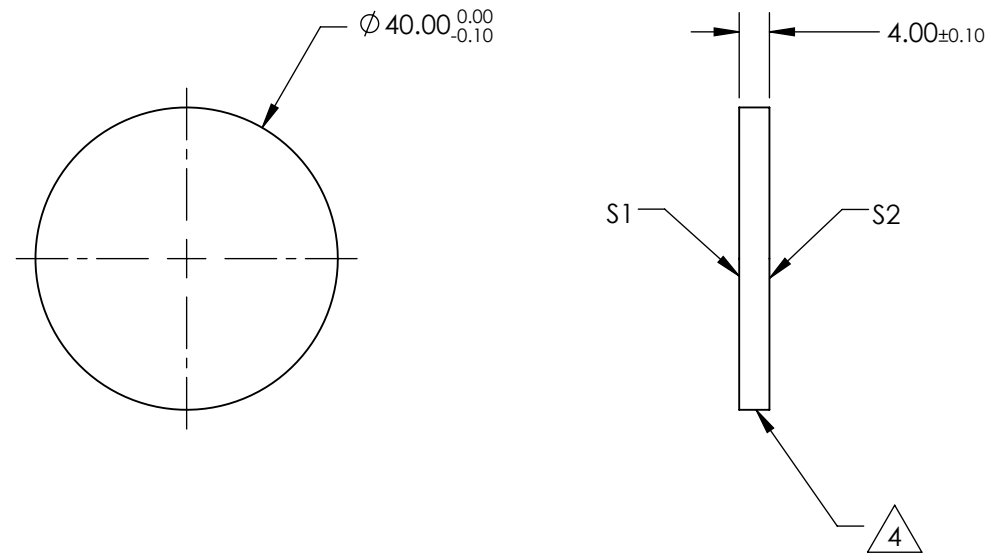
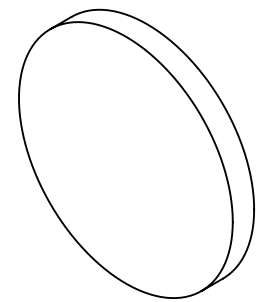


NOTES:

1. SUBSTRATE:
ZINC SELENIDE (ZnSe)
2. SURFACE S2 TO BE PARALLEL WITH S1 TO <1 arcmin
3. COATING (APPLY ACROSS CLEAR APERTURE)
S1 & S2: RAVG <5.0% @ 3 - 12µm

△ 4. FINE GRIND SURFACE

5. RoHS COMPLIANT



**FOR INFORMATION ONLY:
DO NOT MANUFACTURE
PARTS TO THIS DRAWING**

SPECIFICATIONS SUBJECT TO CHANGE WITHOUT NOTICE
DIMENSIONS ARE FOR REFERENCE ONLY

	S1	S2
SHAPE	PLANO	PLANO
SURFACE QUALITY	60-40	60-40
SURFACE FLATNESS	λ/10 @ 10.6µm	λ/10 @ 10.6µm
BEVEL	PROTECTIVE AS NEEDED	PROTECTIVE AS NEEDED

THIRD ANGLE PROJECTION

ALL DIMS IN mm

EO® Edmund Optics®

TITLE: Ø40mm x 4mm THICKNESS, 3 - 12µm COATED, ZnSe WINDOW

DWG NO: 63212

SHEET 1 OF 1