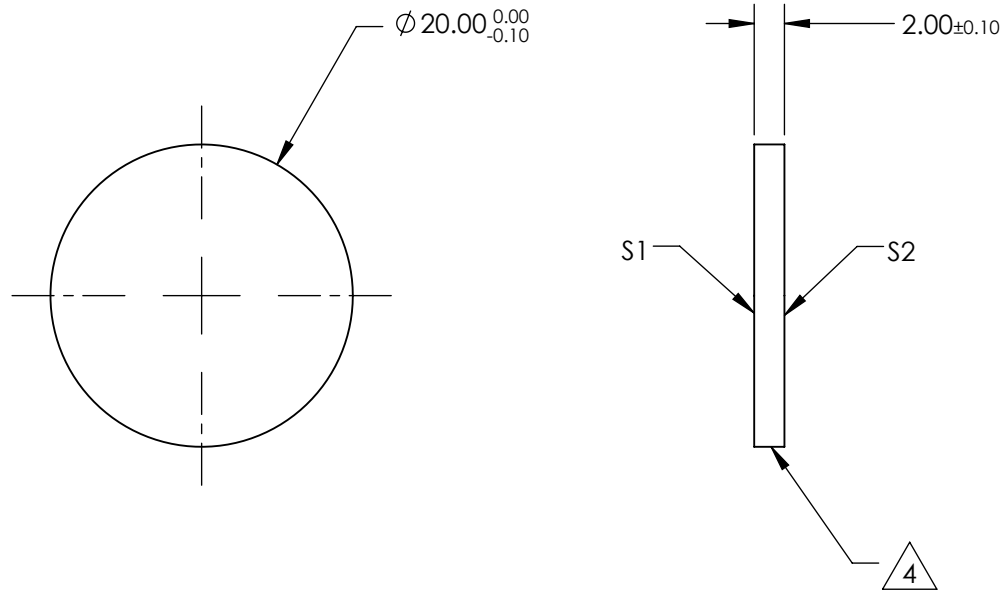
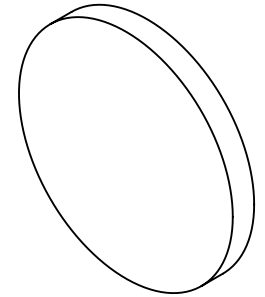


NOTES:

1. SUBSTRATE:  
ZINC SELENIDE (ZnSe)
2. SURFACE S2 TO BE PARALLEL WITH S1 TO <1 arcmin
3. COATING (APPLY ACROSS CLEAR APERTURE)  
S1 & S2: RAVG <5.0% @ 3 - 12µm

△ 4. FINE GRIND SURFACE

5. RoHS COMPLIANT



**FOR INFORMATION ONLY:  
DO NOT MANUFACTURE  
PARTS TO THIS DRAWING**

SPECIFICATIONS SUBJECT TO CHANGE WITHOUT NOTICE  
DIMENSIONS ARE FOR REFERENCE ONLY

	S1	S2				
SHAPE	PLANO	PLANO				
SURFACE QUALITY	60-40	60-40	THIRD ANGLE PROJECTION		TITLE	Ø20mm x 2mm THICKNESS, 3 - 12µm COATED, ZnSe WINDOW
SURFACE FLATNESS	λ/10 @ 10.6µm	λ/10 @ 10.6µm	ALL DIMS IN	mm	DWG NO	63210
BEVEL	PROTECTIVE AS NEEDED	PROTECTIVE AS NEEDED				SHEET 1 OF 1