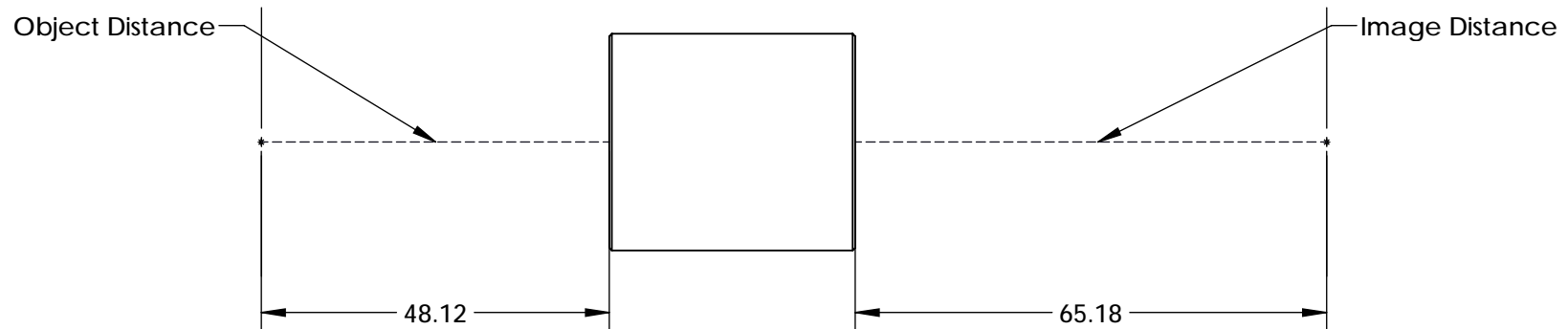
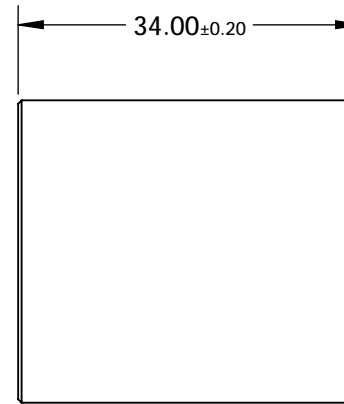
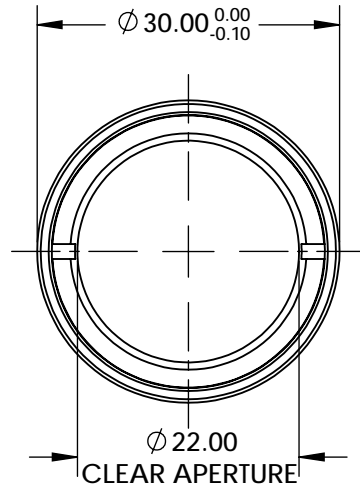
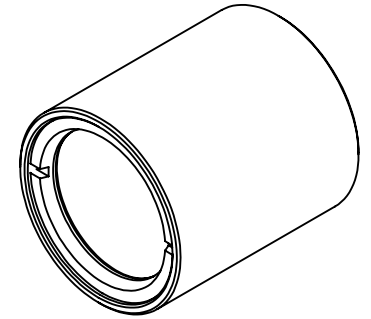


NOTES:

1. SUBSTRATE: N-SSK8 / N-SF10 / N-BK7 / N-SF5
2. MgF2  
R(avg) ≤1.75% @ 400 - 700nm
3. ROHS COMPLIANT



SPECIFICATIONS SUBJECT TO CHANGE WITHOUT NOTICE  
DIMENSIONS ARE FOR REFERENCE ONLY

**FOR INFORMATION ONLY:  
DO NOT MANUFACTURE  
PARTS TO THIS DRAWING**

**EO**® Edmund Optics®

THIRD ANGLE PROJECTION		TITLE	1:1.25 WITH 60mm AND 75mm EFL ACHROMATS, 30mm ACHROMATIC PAIR	
ALL DIMS IN	mm	DWG NO	55279	SHEET 1 OF 1