

NOTES:

1. SUBSTRATE: N-BK7

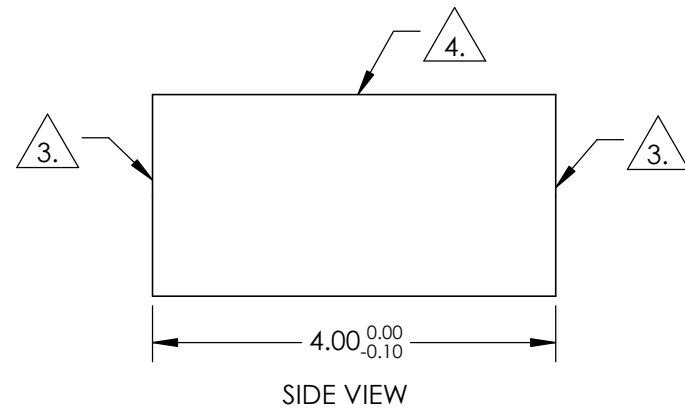
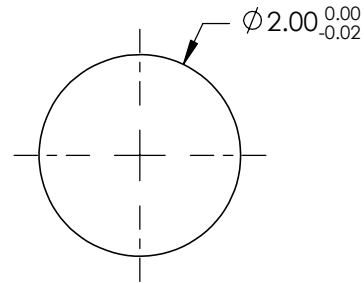
2. COEFFICIENT OF THERMAL EXPANSION:

$$CTE = n/\alpha$$

3. FINE GRIND SURFACE

4. POLISHED SURFACE

4. RoHS COMPLIANT

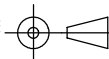


**FOR INFORMATION ONLY:
DO NOT MANUFACTURE
PARTS TO THIS DRAWING**

SPECIFICATIONS SUBJECT TO CHANGE WITHOUT NOTICE
DIMENSIONS ARE FOR REFERENCE ONLY

REV. A	
WAVELENGTH RANGE (nm)	350 - 2200
SURFACE QUALITY	40-20
TYPE	ROD LENS
BEVEL	PROTECTIVE AS NEEDED

THIRD ANGLE
PROJECTION



ALL DIMS IN

mm

Edmund Optics®

TITLE

Ø2mm x 4mm , N-BK7 ROD LENS

DWG NO

54087

SHEET
1 OF 1