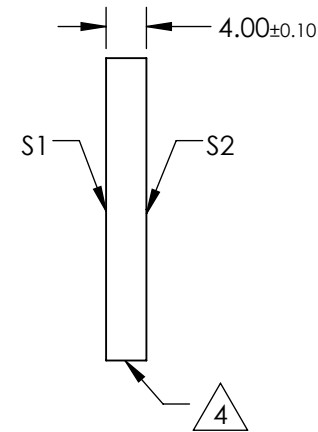
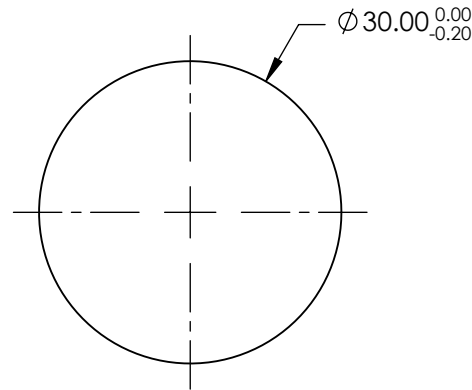
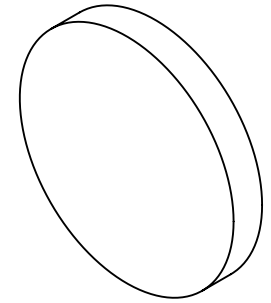


NOTES:

1. SUBSTRATE: UV GRADE FUSED SILICA
2. COATING (APPLY ACROSS CLEAR APERTURE)  
S1 & S2: RABS ≤1.0% @ 350 - 450nm  
RAVG ≤1.5% @ 250 - 700nm
3. SURFACE S2 TO BE PARALLEL WITH S1 TO <5 ARCSEC

 FINE GRIND SURFACE

5. RoHS COMPLIANT

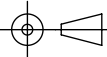


**FOR INFORMATION ONLY:  
DO NOT MANUFACTURE  
PARTS TO THIS DRAWING**

SPECIFICATIONS SUBJECT TO CHANGE WITHOUT NOTICE  
DIMENSIONS ARE FOR REFERENCE ONLY

 **Edmund Optics®**

	S1	S2
SHAPE	PLANO	PLANO
SURFACE QUALITY	20-10	20-10
CLEAR APERTURE	Ø24.00	Ø24.00
BEVEL	PROTECTIVE AS NEEDED	PROTECTIVE AS NEEDED

THIRD ANGLE PROJECTION 

ALL DIMS IN mm

TITLE	30mm DIA., 4mm THICK, UV-VIS COATED λ/10 FUSED SILICA WINDOW		
DWG NO	48067	SHEET	1 OF 1