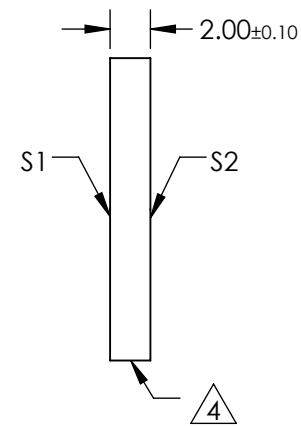
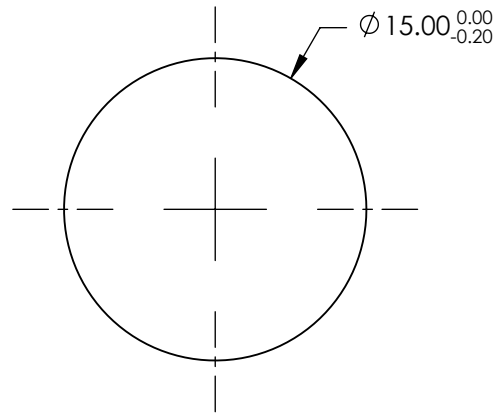
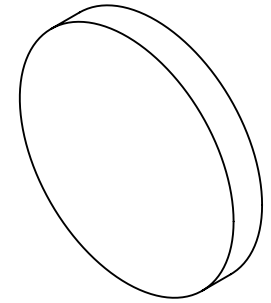


NOTES:

1. SUBSTRATE:UV GRADE FUSED SILICA
2. COATING (APPLY ACROSS CLEAR APERTURE)
S1 & S2: RAVG ≤0.4% @ 425 - 675nm
3. SURFACE S2 TO BE PARALLEL WITH S1 TO WITHIN <5 ARCSEC

△ 4 FINE GRIND SURFACE

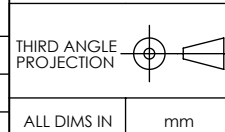
5. RoHS COMPLIANT



**FOR INFORMATION ONLY:
DO NOT MANUFACTURE
PARTS TO THIS DRAWING**

SPECIFICATIONS SUBJECT TO CHANGE WITHOUT NOTICE
DIMENSIONS ARE FOR REFERENCE ONLY

	S1	S2
SHAPE	PLANO	PLANO
SURFACE QUALITY	20-10	20-10
CLEAR APERTURE	Ø12.00	Ø12.00
BEVEL	PROTECTIVE AS NEEDED	PROTECTIVE AS NEEDED



EO® Edmund Optics®

TITLE	15mm DIA., 2mm THICK, VIS 0° COATED λ/10 FUSED SILICA WINDOW		
DWG NO	47198	SHEET	1 OF 1

ALL DIMS IN mm